

Features & Ordering Code

Features

- 4 Digit LED display
- Accuracy: 0.25% and 1% F.S for option
- Range: Vacuum to 600Bar
- Can display Max and Min value
- Different pressure units selected by software
- Different thread size for option
- Output 4-20mA and 0-10V for option

Ordering Code

PG801E □ □ - □ □ - □ □ — Accuracy: A: 1% F.S B: 0.25% F.S
 Alarm: Blank: No alarm J1: 1 alarm J2: 2 alarm
 Range: Vacuum to 600Bar
 Output: Blank: No output 300: 4-20mA 210: 0-10V
 Thread Size: 1: Standard M20X1.5 2: G1/2 3: G1/4 & 1/4NPT
PG801C Series LED Display Digital Pressure Gauge

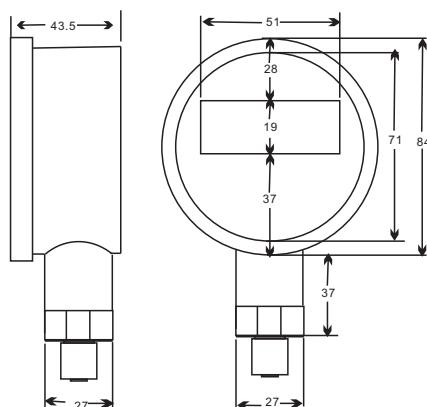
Example: PG801E3300-10Bar-J1-B: means the DPG is in 1/4 NPT or G1/4 thread size, with 4-20mA output, measuring range is 0-10Bar, 1 alarm and the accuracy is 0.25% F.S



Technical Data & Sizes



Size



Technical Data

Accuracy:	Silicon 0.25% F.S Ceramics: 1%
Power Supply:	10-33VDC
Pressure Range:	Vacuum to 600Bar
Housing:	Stainless Steel
Operating Temperature:	-20 to 85 Degrees
Store Temperature:	-20 to 85 Degrees
Temperature Shift:	0.05% F.S per Degree
Size:	84mm dia
Engineering Unit:	Any unit for option when ordering
Thread Size:	M20X1.5, G1/2, 1/4 NPT and others
Frontal Panel:	Polycarbonate, OEM available
Max Allowed Load:	RL less than 600 Ohm
Over Pressure:	200% of the Pressure Range, Less than 1200Bar
Burst Pressure:	400% of the Pressure Range, Less than 1200Bar
Output:	4-20mA or 0-10V
IP Rate:	IP66
Weight:	Abt. 750G