

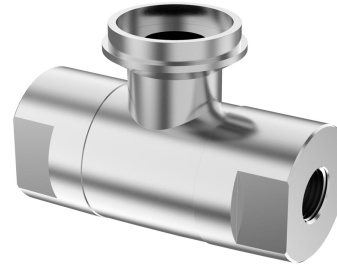
# Model DPS110

OEM differential pressure sensor  
Excellent overpressure

**Materontek**  
Sensing and Internet of Things

## Features

- ❑ Pressure chip encapsulated in an oil-filled metal housing
- ❑ Measuring ranges from 0.6bar to 40bar
- ❑ Differential pressure
- ❑ Accuracy:  $\pm 0.2\%$ FSO(Typ.)
- ❑ Excellent overpressure



## Application

- ❑ Differential pressure measurement
- ❑ OEM
- ❑ Water treatment
- ❑ IoT pressure measurement

## Technical data

Performance	
Accuracy*	$\pm 0.2\%$ FS(typ.) <i>* Using SCC133 signal conditioning circuit board, the accuracy can reach 0.1% FS</i>
Linearity	$\pm 0.2\%$ FS(typ.)
Hysteresis	$\pm 0.03\%$ FS(typ.), $\pm 0.05\%$ FS(max.)
Repeatability	$\pm 0.03\%$ FS(typ.), $\pm 0.05\%$ FS(max.)
Operating temperature	-40 to 85 °C
Vibration	10 g RMS(20 to 2000Hz)
Shock	100 g(10ms)
Cycles	$10 \times 10^6$
Long term stability	$\pm 0.1\%$ FS(typ.)

Electrical @25°C	
Full scale output	10~20 mV/V(typ.)
Excitation	3~8 VDC
Built-in temperature sensor	mV output signal
Bridge resistance	10 k $\Omega$
Insulation resistance	100 M $\Omega$ @100VDC

Physical Specifications	
Housing	316 stainless steel
Diaphragm	316L stainless steel/Hastelloy C-276/Tantalum/SUS316L Gold plating
Oil Filling	Silicone oil / fluorine oil (optional)
Weight	~250g

The listed specifications and dimensions are subject to change without prior notice

# Model DPS110

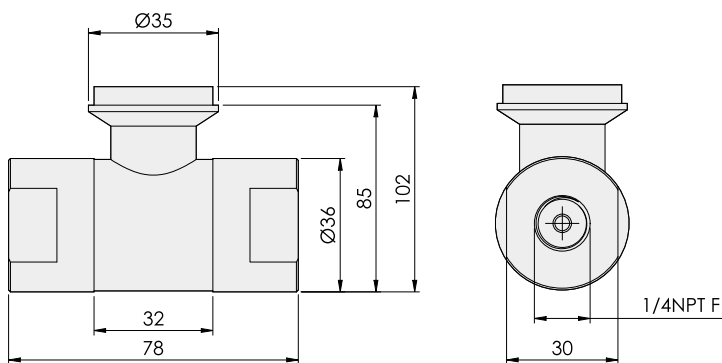
OEM differential pressure sensor  
Excellent overpressure

**Materontek**  
Sensing and Internet of Things

## Standard pressure range

Code	Nominal differential pressure [bar]	Single sided overload [bar]	Static pressure [bar]
01	0...0.06	20	70
02	0...0.4	40	100
03	0...1	60	150
04	0...4	80	150
05	0...40	100	150

## Dimensions (All dimensions in mm)



## Ordering code

Model	Range	Type	Output / Excitation	Electrical Connection	Compensation
<b>DPS110</b>	<b>code</b>	<b>D</b> differential	<b>A</b> mV / 3~8VDC	<b>F</b> Rubber wires(L=80mm)	<b>NA</b> without temperature compensated

Pressure connection	Diaphragm
<b>G1</b> 1/4NPT female	<b>S1</b> 316L stainless steel
<b>G2</b> G1/4 male	<b>S2</b> Hastelloy C-276/
	<b>S3</b> Tantalum
	<b>S4</b> SUS316L Gold plating

- Please notice that High Pressure Side by mark "H", and Low Pressure Side by mark "L"
- Please pay attention to protect the diaphragm, prevent it from damaging;