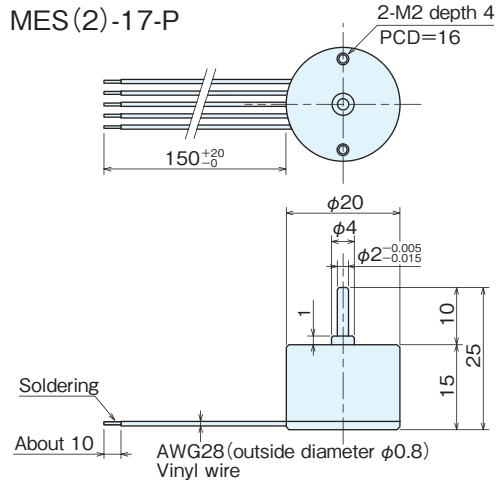


ME-17-P series

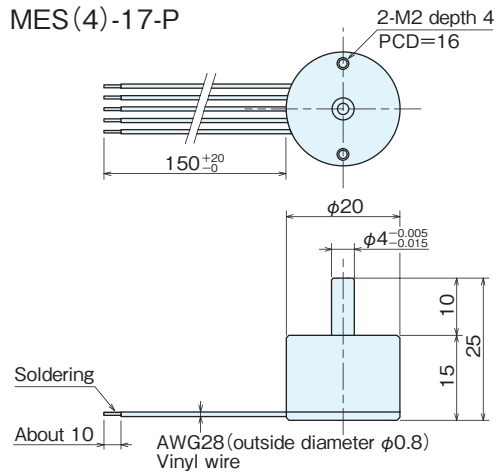
[Square Wave/Incremental]

Outside dimensions

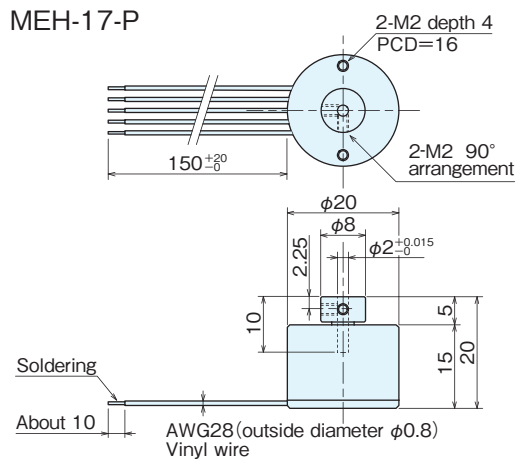
MES(2)-17-P



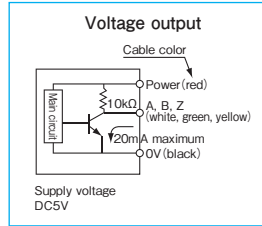
MES(4)-17-P



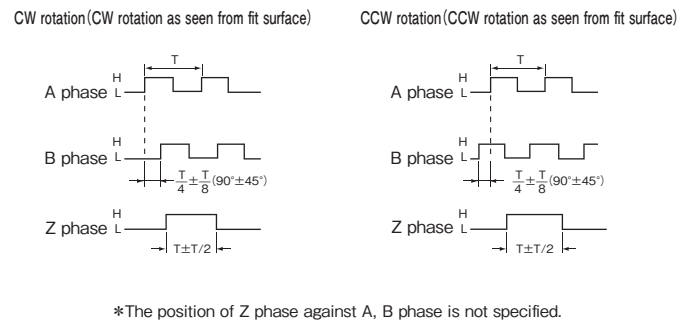
MEH-17-P



Output circuit diagram



Output waveform



Spring flange MEH-17 (Option)

