

# MA-20 series

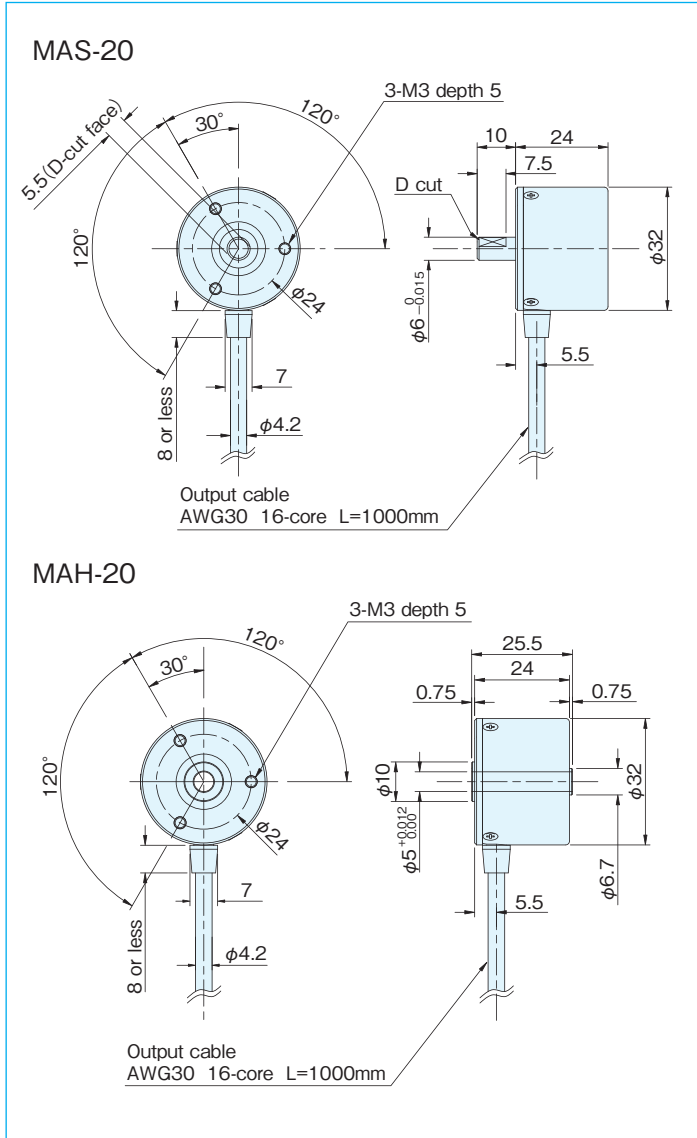
[Absolute]

# MAH-28

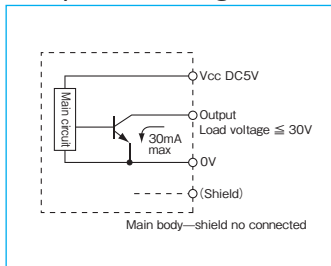
[Absolute]

- Outside dimensions:  $\phi 40 \times 16.5\text{mm}$
- Through Shaft
- Resolution: 20bit, SSI interface

## Outside dimensions

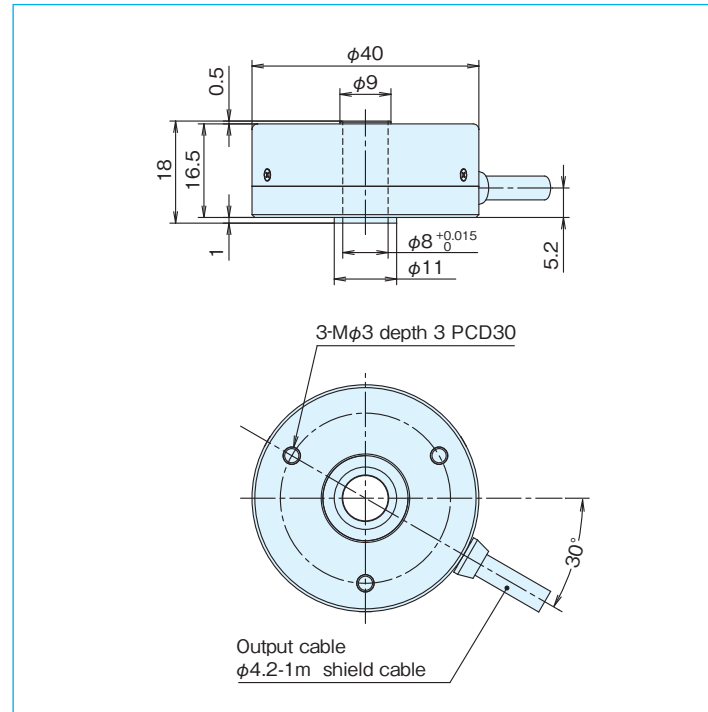


## Output circuit diagram

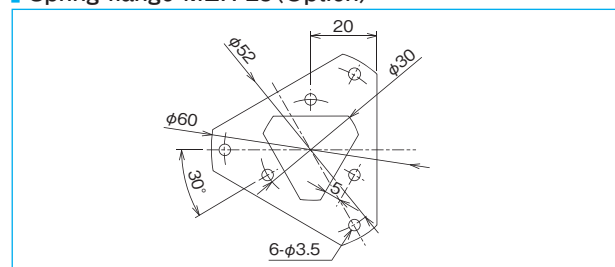


\*A capacitor (0.33 $\mu\text{F}$ ) is connected between 0V and FG (frame ground).

## Outside dimensions



## Spring flange MEH-28 (Option)



## Decoder Outside dimensions (Option)

