

Heavy-Duty Modular Design Bus Bars

Module box design for clean, neat and easy wiring configurations

Heavy Duty Bus Bar Box

HDBB-300A / HDBB-300A-M8 Heavy-Duty Module Design Bus Bar Box with 4 Terminal Studs



- Highest amperage rated bus bar (300A) with M10 terminal studs (also available in M8)
- Blank write-on space on the top allows easy labeling for each branch

Specifications

- Bus Material | Brass, Nickel plated
- Max Continuous Amp | 300A
- Terminal Stud Size | 4 x M10 (3/8") (HDBB-300A) / 4x M8 (5/16") (HDBB-300A-M8)

Heavy Duty Bus Bar Box

HDBB-300B Heavy-Duty Module Design Bus Bar Box with 2 x M10 Terminal Studs & 6 x M5 Screws



- Highest amperage rated bus bar (300A) with M10 terminal studs
- Blank write-on space on the top allows easy labeling for each branch

Specifications

- Bus Material | Brass, Nickel plated
- Max Continuous Amp | 300A
- Terminal Stud Size | 2 x M10 (3/8")
- Screw Size | 6 x M5 (3/16")

Heavy Duty Dual Bus Bar Box

HDBB-100 Heavy-Duty Modular Design Dual Bus Bars with Connecting Link



- Dual Bus Bar with removable connecting link
- Nickel plated brass bus bar allowing current up to 100A
- Blank write-on space on the top allows easy labeling for each branch

Specifications

- Bus Material | Brass, Nickel plated
- Max Continuous Amp | 100A
- Terminal Stud Size | 4 x M6 (1/4")
- Screw Size | 12 x M4 (5/32")

4 Way Heavy-Duty Terminal Studs Box

HDTSB-4 Heavy-Duty Module Design Terminal Studs with Insulation Partition



- Allow terminating of heavy-duty cables for one or more connections (each-terminal)
- Removable insulation partition included
- Heavy duty terminal studs (up to M10), allowing current up to 200A (rating determined by wires connected)
- Terminal Studs available in M8 or M10 (Default: M10)
- Blank write-on space on the top allows easy labeling for each branch

Specifications

- Max Amp per Circuit | Determined by wires connected
- Terminal Stud Size | 4 x M10 (3/8")

Heavy Duty Terminal Studs

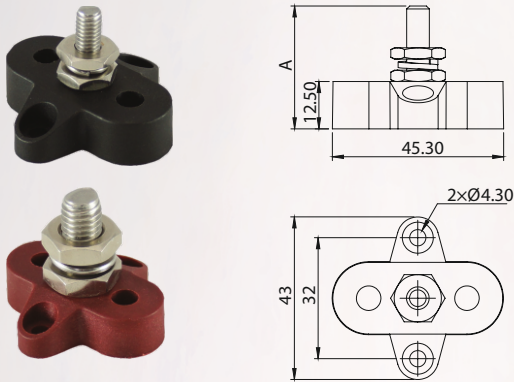
- Allow terminating of heavy-duty cables for one or more connections
- Red or Black colors allowing easy and clear color coding for wiring
- Glass Fiber reinforced Nylon base ensures great mechanical strength and durability
- Heavy duty terminal studs (up to M10)
- Insulated base ensures no leakage to metal hulls (New Feature)

Specifications

- Max Amp per Circuit | Determined by wires connected
- Terminal Stud Size | See each model

Single Terminal Studs

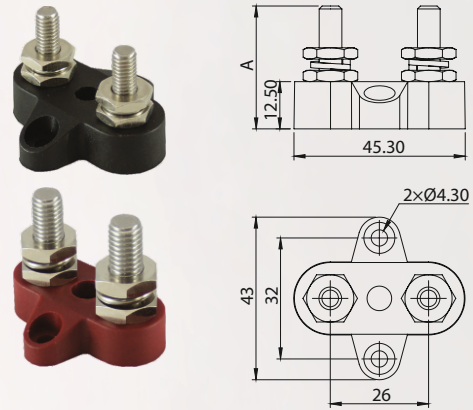
HDSTS



Product ID	Stud Size	A. Height (mm)
HDSTS-M6 / HDSTSR-M6	2 x M6 (1/4")	32.5
HDSTS-M8 / HDSTSR-M8	2 x M8 (5/16")	32.5
HDSTS-M10 / HDSTSR-M10	2 x M10 (3/8")	37.5

Dual Terminal Studs

HDDTS

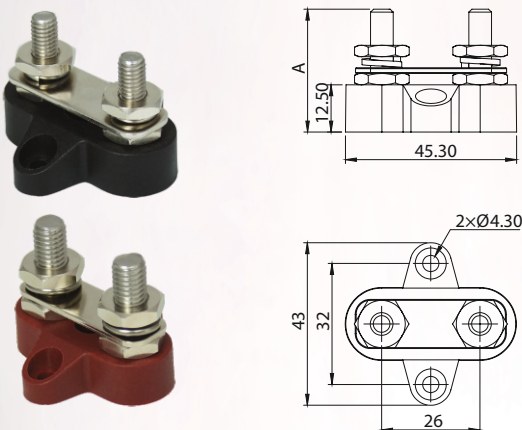


- Dual Terminal Studs with options of different studs sizes

Product ID	Stud Size	A. Height (mm)
HDDTS-M6 / HDDTSR-M6	2 x M6 (1/4")	32.5
HDDTS-M8 / HDDTSR-M8	2 x M8 (5/16")	32.5

Dual Terminal Studs with Connecting Links

DTSCl

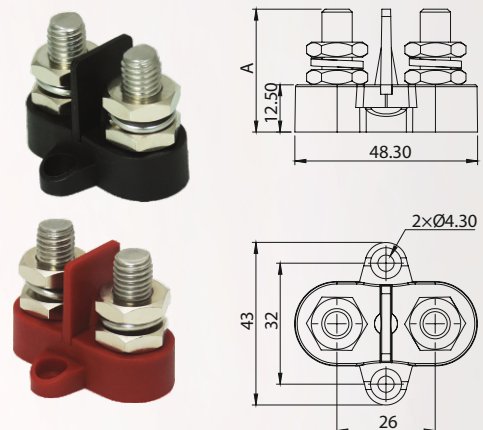


- Dual Terminal Studs with options of different studs sizes
- Removable Connecting Link withstands current up to 80A

Product ID	Stud Size	A. Height (mm)
DTSCl-M6 / DTSClR-M6	2 x M6 (1/4")	32.5
DTSCl-M8 / DTSClR-M8	2 x M8 (5/16")	32.5

Dual Terminal Studs with Isolating Plate

DTSIP



- Dual Terminal Studs with options of different studs sizes
- Removable isolating plate

Product ID	Stud Size	A. Height (mm)
DTSIP-M8 / DTSIPR-M8	2 x M8 (5/16")	32.5
DTSIP-M10 / DTSIPR-M10	2 x M10 (3/8")	37.5
DTSIP-M8M10 / DTSIPR-M8M10	1 x M8 (5/16") + 1 x M10 (3/8")	37.5

Heavy-Duty Bus Bars (Imperial Threading)

- Imperial threading screws and studs suitable for the US Specifications market
- Optional insulation base
- Tin-plated copper bus allowing large current (100A up)
- Stainless steel screws and studs provide great anti-corrosion ability on board

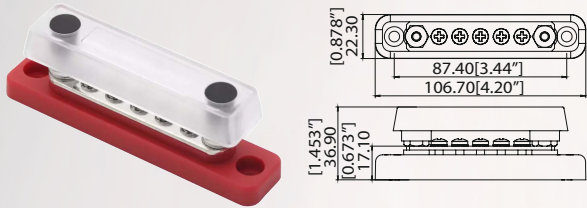
Specifications

- Studs and Screws | Stainless Steel
- Bus Bar | Tin-Plated Copper
- Base | Flame Retardant ABS

Mini Bus Bars (100A)

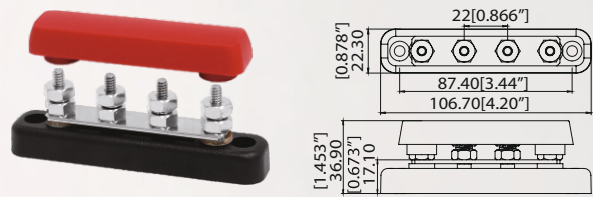
HDBB-MB1

HDBB-MB1-CB (with Black) / HDBB-MB1-CR (with Red)



HDBB-MB2

HDBB-MB2-CB (with Black Cover) / HDBB-MB2-CR (with Red Cover)



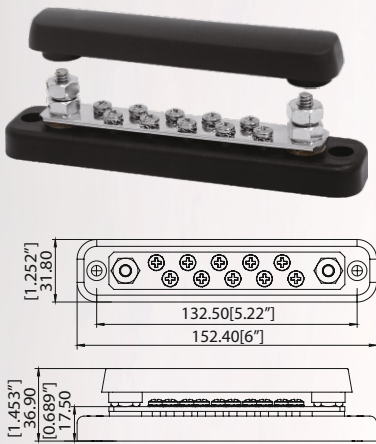
Common Bus Bars (150A)

Standard 150A bus bar with sturdy design

HDBB-CB1

HDBB-CB1-CB (with Black Cover)

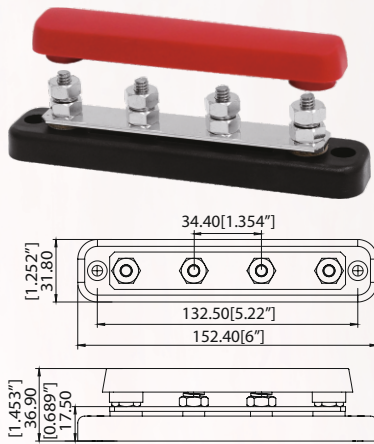
HDBB-CB1-CR (with Red Cover)



HDBB-CB2

HDBB-CB2-CB (with Black Cover)

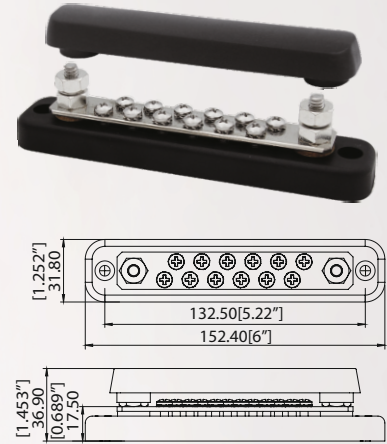
HDBB-CB2-CR (with Red Cover)



HDBB-CB3 New

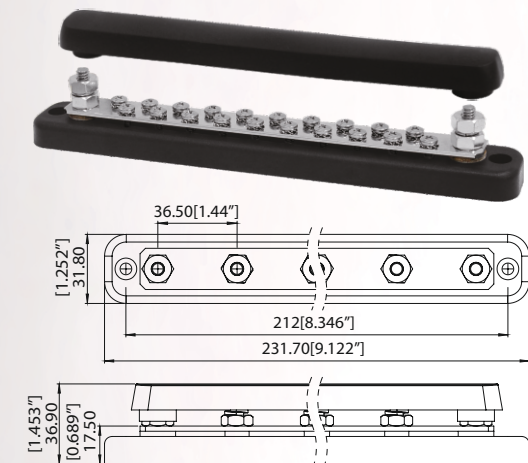
HDBB-CB3-CB (with Black Cover)

HDBB-CB3-CR (with Red Cover)



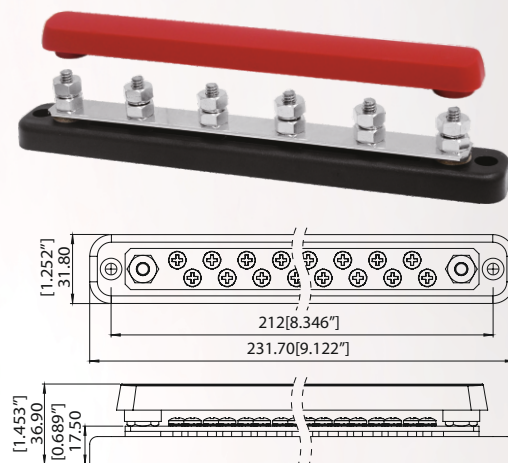
HDBB-CB4

HDBB-CB4-CB (with Black Cover) / HDBB-CB4-CR (with Red Cover)



HDBB-CB5

HDBB-CB5-CB (with Black Cover) / HDBB-CB5-CR (with Red Cover)



MaxiPower Bus Bar (250A) New

Heavy Duty copper bus bars carry current up to 250A

HDBB-MB1A

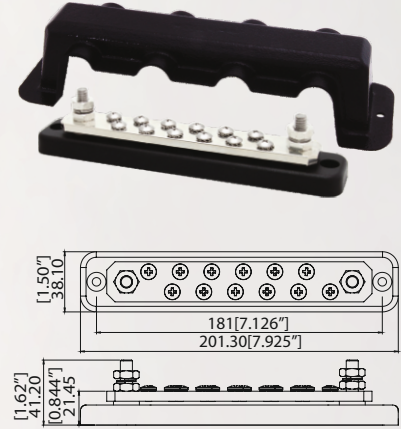
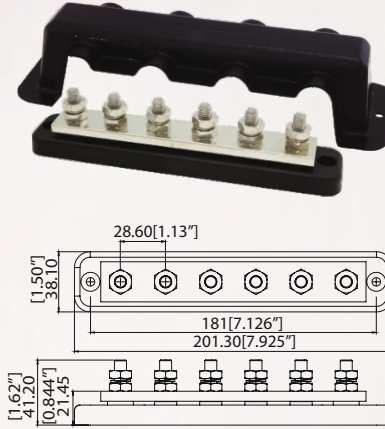
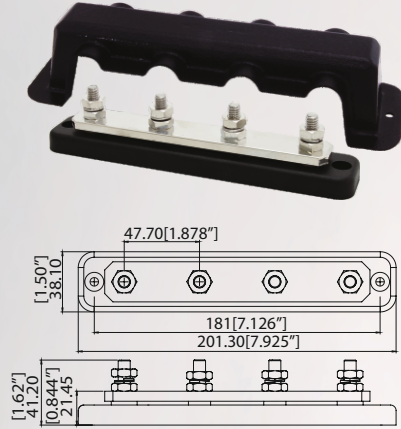
HDBB-MB1AC (with Cover)

HDBB-MB2A

HDBB-MB2AC (with Cover)

HDBB-MB3A

HDBB-MB3AC (with Cover)



Ultra Power Bus Bar (600A) New

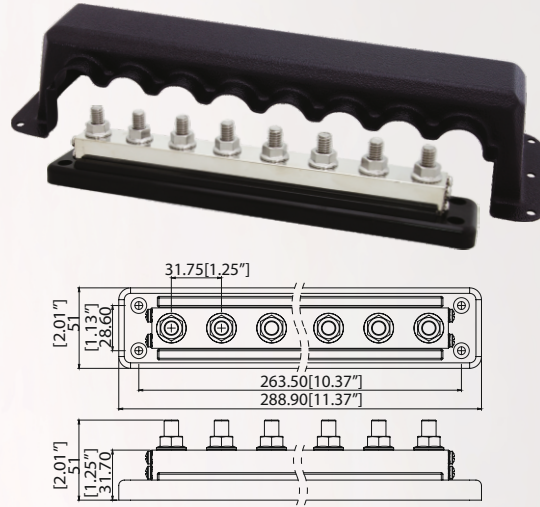
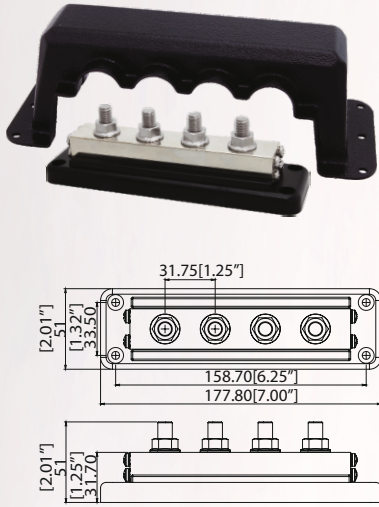
Bus bars with very large current up to 600A

HDBB-UB1

HDBB-UB1C (with Cover)

HDBB-UB2

HDBB-UB2C (with Cover)



Product ID	Studs	Screws	Rating	Dimensions – Inch (mm)
HDBB-MB1	2 x 3/16"-24	5 x #8-32	100A	4.2" (106.7) x 0.877" (22.3) x 1.37" (34.8)
HDBB-MB2	4 x 3/16"-24	-	100A	4.2" (106.7) x 0.877" (22.3) x 1.37" (34.8)
HDBB-CB1	2 x 1/4"-20	10 x #8-32	150A	6" (152.4) x 1.251" (31.8) x 1.37" (34.8)
HDBB-CB2	4 x 1/4"-20	-	150A	6" (152.4) x 1.251" (31.8) x 1.37" (34.8)
HDBB-CB3	2 x 1/4"-20	20 x #8-32	150A	9.122" (231.7) x 1.251" (31.8) x 1.37" (34.8)
HDBB-CB4	6 x 1/4"-20	-	150A	9.122" (231.7) x 1.251" (31.8) x 1.37" (34.8)
HDBB-CB5	2 x 1/4"-20	12 x #8-32	150A	6" (152.4) x 1.251" (31.8) x 1.37" (34.8)
HDBB-MB1A	4 x 5/16"-18	-	250A	7.925" (201.3) x 1.5" (38.1) x 1.62" (41.2)
HDBB-MB2A	6 x 5/16"-18	-	250A	7.925" (201.3) x 1.5" (38.1) x 1.62" (41.2)
HDBB-MB3A	2 x 5/16"-18	12 x #10-24	250A	7.925" (201.3) x 1.5" (38.1) x 1.62" (41.2)
HDBB-UB1	4 x 3/8"-16	-	600A	7" (177.8) x 2.01" (51) x 2.01" (51)
HDBB-UB2	8 x 3/8"-16	-	600A	11.37" (288.9) x 2.01" (51) x 2.01" (51)

Marine Grade Bus Bars (Metric Threading)



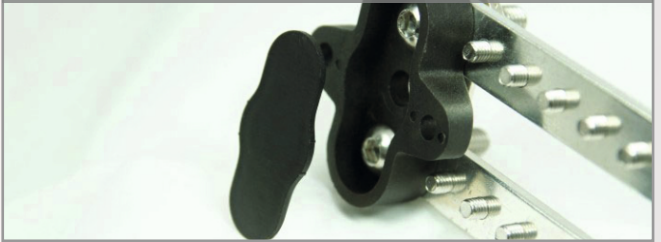
- Metric threading screws and studs
- Glass fiber reinforced Nylon base ensures great mechanical strength and durability
- Optional transparent insulating cover with recessed area for label stickers
- Tin-plated copper bus allowing current up to 150A
- Stainless steel studs and screws provide great anti-corrosion ability on board
- Insulated base ensures no leakage to metal hulls

Upgrades from old models

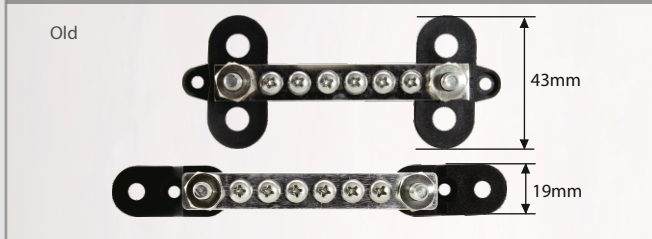
Transparent cover for all models



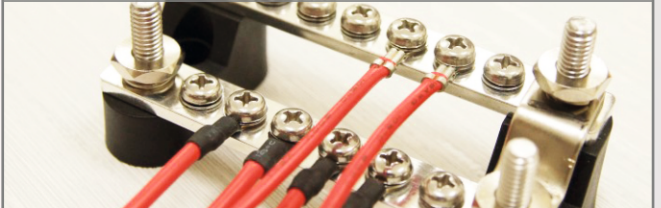
Insulated base ensures no leakage to metal hulls



New compact base for single bus bars



Bus height differentials allow cable output from the same side (MGB-DB5)



Single Bus Bars

Compact size bus bars with ample 150A capacity

MGB-SB1-6P / MGB-SB3-6P

MGB-SB2-12P / MGB-SB4-12P

MGB-SB1C-6P / MGB-SB3C-6P (with cover)

MGB-SB2C-12P / MGB-SB4C-12P (with cover)

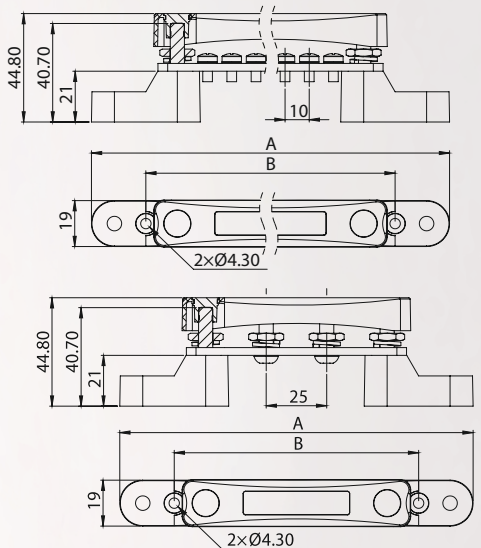


MGB-SB5-4P

MGB-SB6-6P

MGB-SB5C-4P (with cover)

MGB-SB6C-6P (with cover)



Product ID	Studs	Screws	A. Length (mm)	B. Mounting Centers (mm)	Rating	Bus Material
MGB-SB1-6P	2 x M6 (1/4")	6 x M4 (5/32")	146	101	100A	Brass
MGB-SB2-12P	2 x M6 (1/4")	12 x M4 (5/32")	206	161	100A	Brass
MGB-SB3-6P	2 x M6 (1/4")	6 x M4 (5/32")	146	101	150A	Copper
MGB-SB4-12P	2 x M6 (1/4")	12 x M4 (5/32")	206	161	150A	Copper
MGB-SB5-4P	4 x M6 (1/4")	-	146	101	100A	Brass
MGB-SB6-6P	6 x M6 (1/4")	-	206	161	100A	Brass

Common Bus Bars

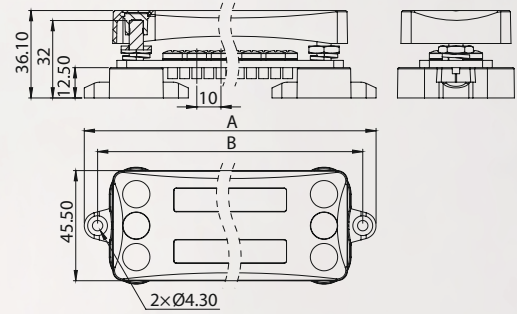
Standard common bus bars with 10 or 22 terminals

MGB-CB1-10P

MGB-CB1C-10P (with cover)

MGB-CB2-22P

MGB-CB2C-22P (with cover)



Product ID	Studs	Screws	A. Length (mm)	B. Mounting Centers (mm)	Rating
MGB-CB1-10P	2 x M6 (1/4")	10 x M4 (5/32")	118	107	150A
MGB-CB2-22P	2 x M6 (1/4")	22 x M4 (5/32")	178	167	150A

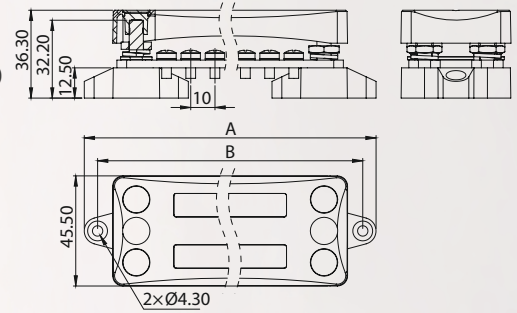
Dual Bus Bars

Dual bus bars with removable connecting link

MGB-DB1-6P / MGB-DB3-6P

MGB-DB2-12P / MGB-DB4-12P

MGB-DB1C-6P / MGB-DB3C-6P (with cover) MGB-DB2C-12P / MGB-DB4C-12P (with cover)



Product ID	Studs	Screws	A. Length (mm)	B. Mounting Centers (mm)	Rating per bus	Bus Material
MGB-DB1-6P	Dual 2 x M6 (1/4")	Dual 6 x M4 (5/32")	118	107	100A	Brass
MGB-DB2-12P	Dual 2 x M6 (1/4")	Dual 12 x M4 (5/32")	178	167	100A	Brass
MGB-DB3-6P	Dual 2 x M6 (1/4")	Dual 6 x M4 (5/32")	118	107	150A	Copper
MGB-DB4-12P	Dual 2 x M6 (1/4")	Dual 12 x M4 (5/32")	178	167	150A	Copper

"2-Steps" Dual Bus Bars

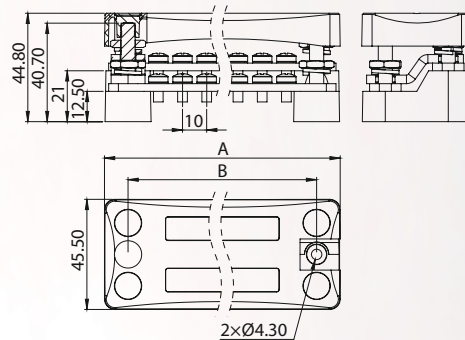
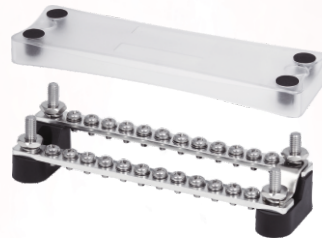
Bus bars with different heights allowing more flexible wiring

MGB-DB5-6P

MGB-DB6-12P

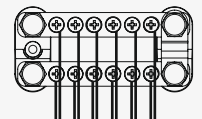
MGB-DB5C-6P (with cover)

MGB-DB6C-12P (with cover)

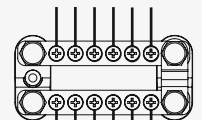


Wire Output Options:

Single side



Double Side



Product ID	Studs	Screws	A. Length (mm)	B. Mounting Centers (mm)	Rating per Bus
MGB-DB5-6P	Dual 2 x M6 (1/4")	Dual 6 x M4 (5/32")	94	75	150A
MGB-DB6-12P	Dual 2 x M6 (1/4")	Dual 12 x M4 (5/32")	154	135	150A