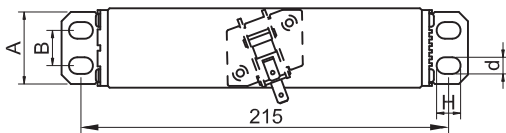
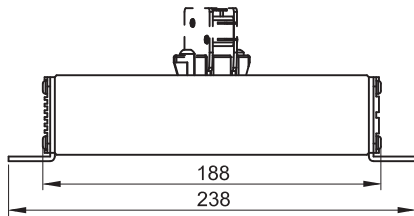


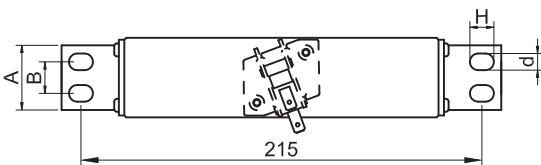
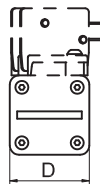
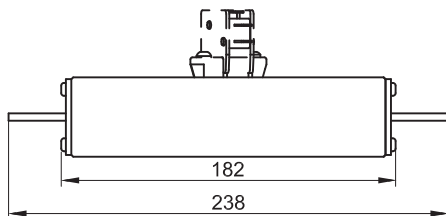
FTF, 2000VDC, Amps: 2-2000A



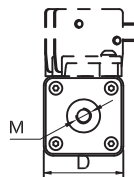
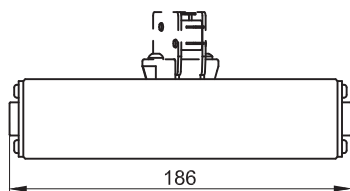
Dimensions(mm)


L Type Amps: 2-600A

Ref.	A	B	D	d×H
RME20-□-AL	38	0	40	8X13
RME20-□-CL	55	28	58	8X13
RME20-□-DL	70	40	74	10X13


M Type Amps: 2-600A

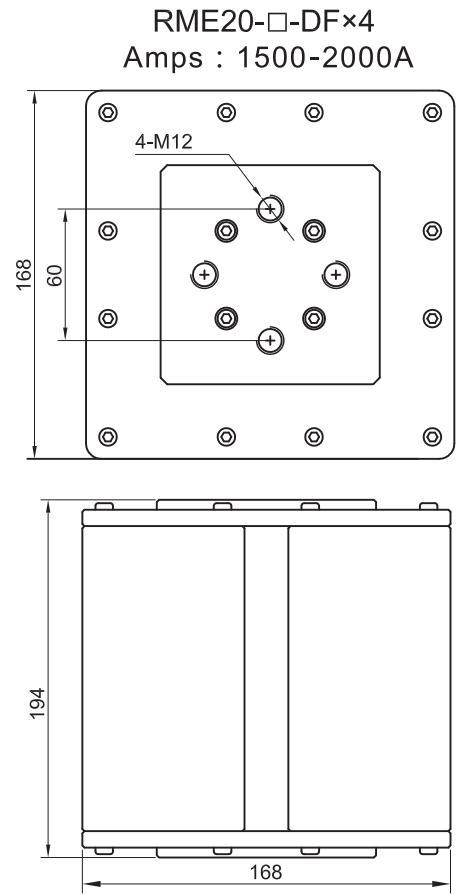
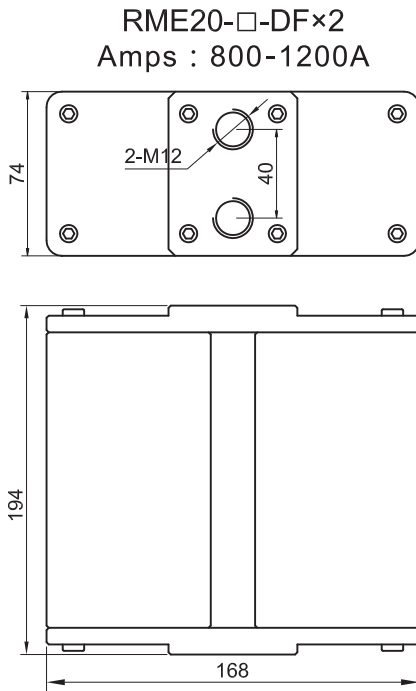
Ref.	A	B	D	d×H
RME20-□-AM	38	0	40	8X13
RME20-□-CM	46	28	58	8X13
RME20-□-DM	50	25	74	10X13


F Type Amps: 2-600A

Ref.	D	M
RME20-□-AF	40	M8
RME20-□-CF	58	M12
RME20-□-DF	74	M12

FTF,2000VDC, Amps:2-2000A

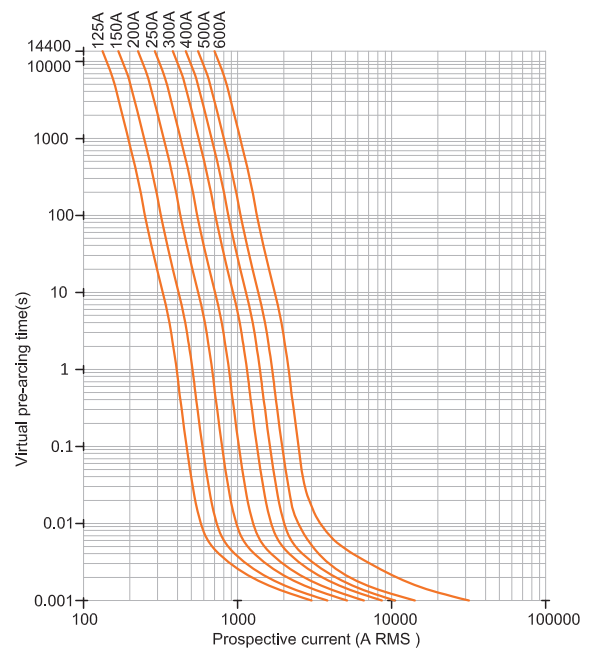
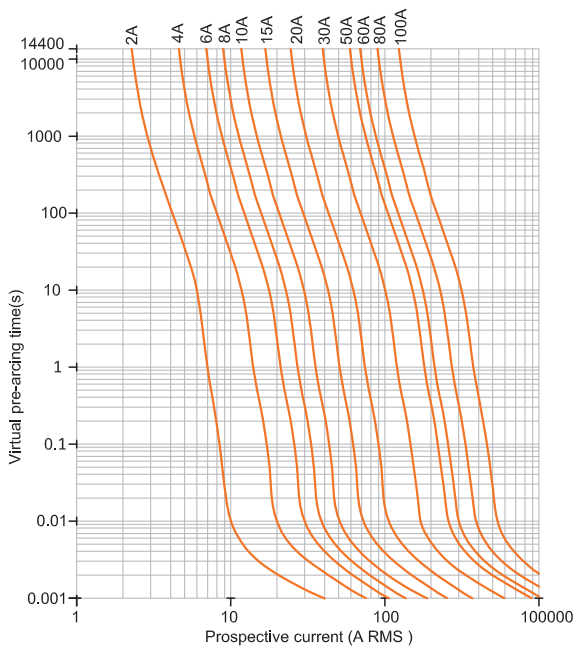
Dimensions(mm)



Time-Current Characteristics

100kA@2000VDC

L/R=15ms



FTF,2000VDC, Amps:2-2000A

Electrical Specifications

Product number	Amps	Breaking Capacity	$I^2t(A^2s)$ Pre-arcing	Total clear	Watts loss 100%In
RME20-2-AL(F/M)	2		1.0	5.9	3.0
RME20-3-AL(F/M)	3		2.2	13.3	3.6
RME20-4-AL(F/M)	4		4.0	23.7	4.3
RME20-5-AL(F/M)	5		6.2	37.0	5.2
RME20-6-AL(F/M)	6		8.9	53.3	6.1
RME20-8-AL(F/M)	8		15.8	94.8	7.2
RME20-10-AL(F/M)	10		24.7	148.1	8.5
RME20-12-AL(F/M)	12		35.6	213.3	10.0
RME20-15-AL(F/M)	15		55.6	333.3	13.0
RME20-20-AL(F/M)	20		98.8	592.6	17.0
RME20-25-AL(F/M)	25		154.3	925.9	21.2
RME20-30-AL(F/M)	30		222.2	1333.3	24.0
RME20-40-AL(F/M)	40		395.1	2370.4	28.8
RME20-50-AL(F/M)	50		617.3	3703.7	33.6
RME20-60-AL(F/M)	60		888.9	5333.3	38.0
RME20-80-AL(F/M)	80		1580.2	9481.5	44.0
RME20-100-AL(F/M)	100	100kA	2469.1	14814.8	49.0
RME20-125-AL(F/M)	125	@2000VDC	3858.0	23148.8	54.0
RME20-160-AL(F/M)	160	L/R=15ms	6321.0	37925.9	65.0
RME20-200-CL(F/M)	200		9876.5	59259.3	68.0
RME20-250-CL(F/M)	250		15432.1	92592.6	78.0
RME20-300-CL(F/M)	300		22222.2	133333.3	89.0
RME20-350-DL(F/M)	350		30246.9	181481.5	92.0
RME20-400-DL(F/M)	400		39506.2	237037.0	103.0
RME20-450-DL(F/M)	450		50000.0	300000.0	115.0
RME20-500-DL(F/M)	500		61782.4	370370.4	128.0
RME20-600-DL(F/M)	600		88888.9	533333.3	142.0
RME20-800-DFX2	800		158024.7	948148.0	150.0
RME20-1000-DFX2	1000		246913.5	1481481.5	220.0
RME20-1200-DFX2	1200		355556.0	2133333.0	245.0
RME20-1500-DFX4	1500		555560.0	3333333.3	280.0
RME20-1600-DFX4	1600		632098.7	3792592.6	295.0
RME20-1800-DFX4	1800		800000.0	4800000.0	335.0
RME20-2000-DFX4	2000		987654.3	5925925.9	370.0