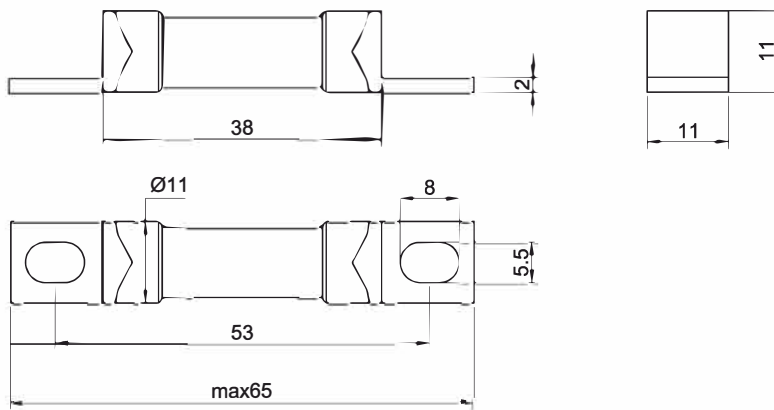


FTF,500VDC, Amps:10-800A

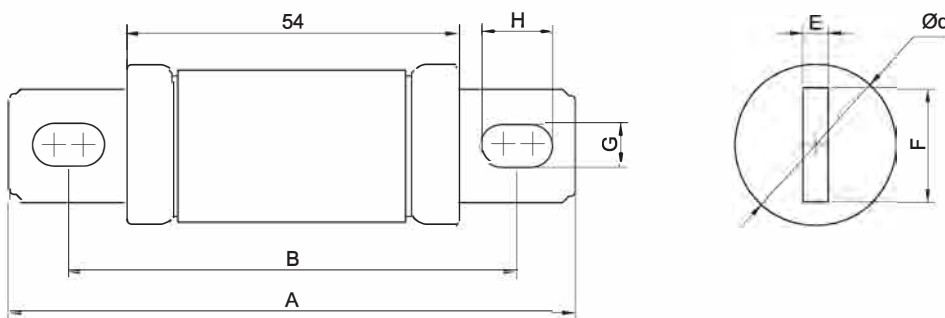


Dimensions(mm)

ESU5.0-□ Amps: 10-50A



ESU5.0-□-□ Amps: 50-800A



Ref.	Current Rating	A	B	Ød	E	F	G×H
ESU5.0-□-A	50-200	92	72	26	3	19	8X13
ESU5.0-□-B	250-300	97	75	31	4	24	8X13
ESU5.0-□-C	350-400	110	81	38	6	27	10X17
ESU5.0-□-D	450-800	110	81	51	6	39	10X17

# FTF,500VDC, Amps:10-800A

## Electrical Specifications

Product number	Amps	Breaking Capacity	$I^2t(A^2s)$ Pre-arcing	Total clear	Watts loss 100%In
ESU5.0-10	10	30kA @500VDC L/R=8ms	13	49	0.8
ESU5.0-20	20		51	195	1.8
ESU5.0-30	30		115	438	2.8
ESU5.0-40	40		205	778	3.7
ESU5.0-50	50		320	1216	4.8
ESU5.0-50-A	50		256	973	4.2
ESU5.0-60-A	60		461	1751	5.4
ESU5.0-80-A	80		819	3113	6.9
ESU5.0-100-A	100		1280	4864	8.2
ESU5.0-125-A	125		2000	7600	10.5
ESU5.0-150-A	150	50kA @500VDC L/R=10ms	2880	10944	22.0
ESU5.0-200-A	200		5120	19456	31.0
ESU5.0-250-B	250		8000	30400	40.0
ESU5.0-300-B	300		11520	43776	49.0
ESU5.0-350-C	350		15680	59584	61.0
ESU5.0-400-C	400		20480	77824	73.0
ESU5.0-450-D	450		25920	98496	86.0
ESU5.0-500-D	500		32000	121600	95.0
ESU5.0-600-D	600		46080	175104	107.0
ESU5.0-700-D	700		62720	238336	120.0
ESU5.0-800-D	800	81920	311296	132.0	

## Time-Current Characteristics

