

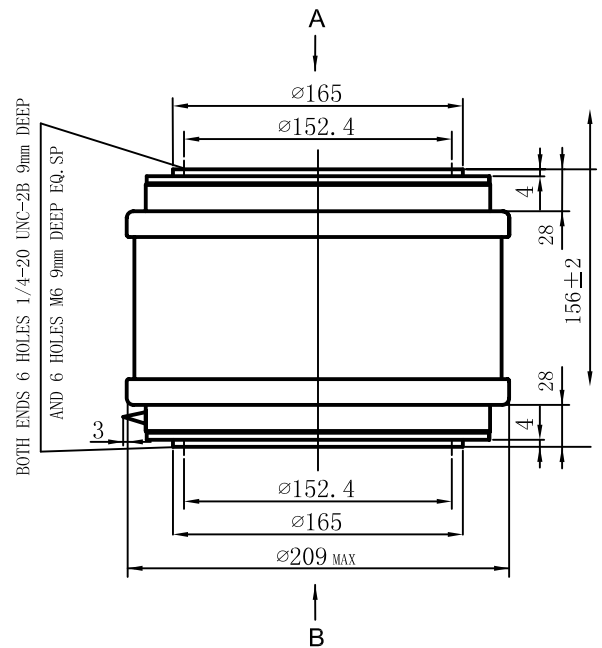
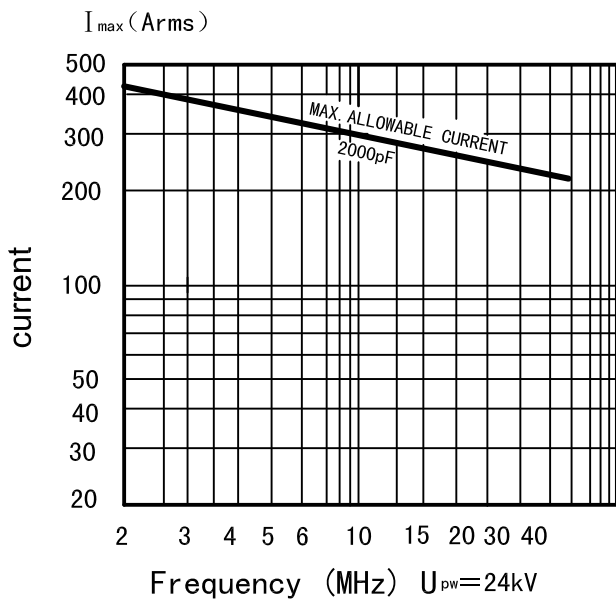


Data-Sheet-Fixed Vacuum Capacitor
CKT2000/28/400

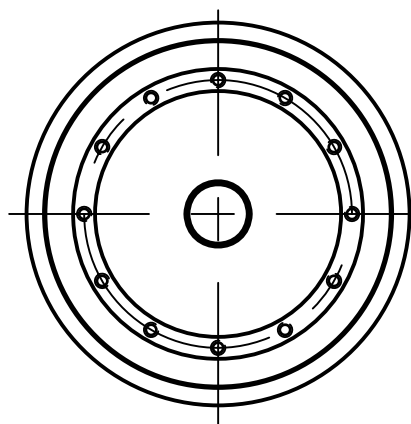


www.glvac.com

Specification	
Capacity C_{max} (nominal)	2000pF
Voltage (Peak Test U_{pt} /Peak Working U_{pw})	40kV/24kV
Capacity tolerance	$\pm 5\%$
Max. Current I_{max} at 13.56MHz with	400Arms
Conduction Cooling	
Net Weight	12.7 kg



VIEW A



VIEW B

