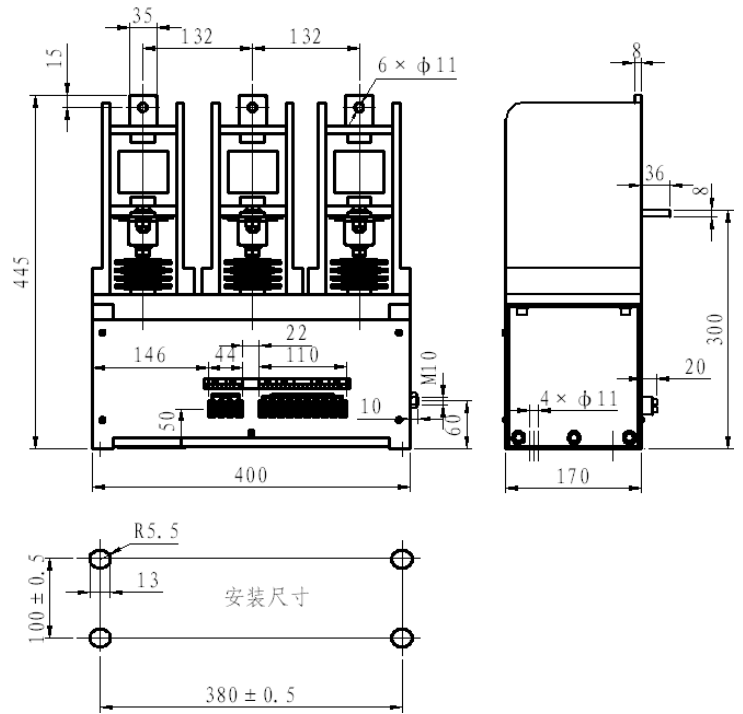


Outline Drawing



CKG4-400A/7.2kV-S AC Vacuum Contactor (Mechanical Latching)

Technical Parameters		
Rated Voltage	kV	7.2
Rated Current	A	400
Rated Making Capacity	A/100 Times	4000
Rated Breaking Capacity	A/25 Times	3200
Limited Breaking Capacity	A/3 Times	4000
Rated short time withstand current (2S)	kA	4000
Rated peak withstand current	A	10000
Mechanical Life	Times	5×10^5
Electrical Life	Times	1×10^5
Weight	kg	25
Control Power Voltage	V (AC/DC)	110、220
Closing Power	W (transient)	900
Opening Power	W (transient)	300
Auxiliary Contact	2 pairs NO, 2 pairs NC	