

SFM - Series Miniature Circuit Breakers - AC



Surface mount
1 pole

Surface mount
2 pole

Surface mount
3 pole

Surface mount
3 pole

Features

- AC circuit breaker
- Hydraulic-magnetic technology
- 100 % rating capability; independent of ambient temperature
- One, two, three, four pole, 1+N and 3+N
- AS/NZS 3111 approved
- Ratings 1 A to 100 A (Verify certification)
- Available in various current ratings and time delays
- Precision tripping characteristics
- Can be switched on immediately after tripping
- Optional auxiliary switch
- Optional shunt trip (No approvals)

Auxiliary Switch: Features

- Single pole double throw
15 A @ 250 Vac

Applications

- AC Branch protection
- Telecom / datacom equipment
- Lighting control
- UPS equipment
- Mobile power generation equipment
- Railway equipment
- Industrial equipment
- Mining equipment

Optional Accessories

- Handle lock
- Safety blank SFM1

Approvals



Hydraulic-Magnetic Circuit Breakers 100% rated, unaffected by ambient temperature

SFM - Series Miniature Circuit Breakers - AC

Technical Data

Product Type	Circuit Breaker				
Approvals	AS/NZS 3111				
Number of Poles	1	2 (1+N)	2	3	4 (3+N)
Operating Voltages	240 V ac		415 V ac		
Minimum Current Rating	4 A				
Maximum Current Rating	100 A				
Interrupting Capacity	6 kA				

Product Type	Switch Disconnecter			
Approvals	IEC / EN 60947-3			
Number of Poles	1	2	3	4
Operating Voltages	240 V ac	415 V ac		
Current Rating	63 A & 100 A			
Withstand Current	6 kA / 50 ms			

Product Type	SFM(26)
Ambient Operating Temperature	-40 °C to +85 °C
Mounting Options	Clip tray, Front & Surface mounting
Time Delay Curves	1, 2, 3
Endurance	500 mechanical operations (AS/NSZ3111 Clause 7.7)
Dielectric Strength	2 kV (AS/NZS3111 Clause 7.5.2)
Weight	200 g per pole, 260 g with auxiliary (unpacked)
Altitude	Certification tests done at altitude ≈ 2000 metres. Will operate at higher altitudes.
Shock	50 g with pulse duration of 11 milliseconds
Vibration	5 g from 35 Hz to 200 Hz
Flammability	I3 - Ignition does not persist at 850 °C after glow wire is withdrawn with an oxygen index of ≥ 28
Toxicity	F1 - Smoke index of ≤ 20 which determines the fume class
Pollution Degree	PD2 - Normally only non-conductive pollution occurs. Temporary conductivity caused by condensation is to be expected.

Circuit Breaker		Wire Size mm ² (IEC)	Torque (IEC)	Comments
Main terminals	Box Type	1 - 35 mm ²	4 Nm	Pozidriv #2 Combi head
	Lug & Rear Studs Type	1 - 50 mm ²		

Verify approvals for specific ratings in accordance with the relevant test certificates.

SFM - Series Miniature Circuit Breakers - AC

Long Code

Example Code: SFM4-2G3/G1/G10-60A-2-96-250Vac - AC-3

Group	1	2	3	4	5	6	7	8	9	10	11	12	13	14	15	16	17	18	19
Requirement	SFM	Four Pole	Two Pole First Set	Box Type Main Terminal	Overload Series Trip	One Pole Second Set	Box Type Main Terminal	Overload Series Trip WITH Aux switch	One Pole Third Set	Box Type Main Terminal	Shunt Trip (ST1), flexible leads	N/A	N/A	N/A	Current Rating	Time Delay	Shunt Trip Voltage Vac	AC/DC	AS/NZS 3111
Long Code	SFM	4	2	G	3	/	G	1	/	G	10	-	-	-	60 A	2	96-250	AC	3

Ordering Information

Group	Code	Description	Comments	
First Set (s)	Group 1: Frame Type			
	SFM	SFM		
	Group 2: Total Number of Poles			
	1	Single pole		
	2	Double pole	2 pole or 1+N	
	3	Triple pole		
	4	Four pole	3+N	
	Group 3: Number of Poles			
	-	Not applicable	All poles are the same	
	2	Two poles		
	3	Three poles		
	4	Four poles		
	Group 4: Termination			
	A	Rear studs "AC"		
	D	Screw terminal "AC"		
G	Box terminal "AC"			
First Set (s)	Group 5: Pole Construction			
	0	Switch Disconnecter with auxiliary switch fitted	No approvals	
	1	Series trip overload with auxiliary switch fitted		
	3	Overload series trip		
	6	Shunt trip four terminals. (INTERNAL SHUNT)	No approvals	
	10	Shunt trip (ST1), flexible leads. (EXTERNAL SHUNT)	No approvals	
	11	Shunt trip (ST1), with auxiliary switched fitted. (EXTERNAL SHUNT)	No approvals	
	13	Switch Disconnecter with auxiliary switch fitted	No approvals	
	14	Shunt trip in series with a cut-off main contacts (ST1CO). With flexible leads. Occupies additional pole. (SERIES SHUNT)	No approvals	
	15	Auxiliary switch with flexible leads (internal fitted). Occupies additional pole		
Second Set (s)	Group 6: Number of Poles			
	-	Not Applicable		
	/	One pole		
	/2	Two poles		
	/3	Three poles		
	/4	Four poles		
	Group 7: Terminal Type			
	A	Rear studs "AC"		
	D	Screw terminal "AC"		
	G	Box terminal "AC"		
	Second Set (s)	Group 8: Pole Construction		
		0	Switch Disconnecter with auxiliary switch fitted	
		1	Series trip overload with auxiliary switch fitted	
		3	Overload series trip	
		6	Shunt trip four terminals. (INTERNAL SHUNT)	
10		Shunt trips (ST1), flexible leads. (EXTERNAL SHUNT)		
11		Shunt trip (ST1), with auxiliary switch fitted. (EXTERNAL SHUNT)		
13		Switch Disconnecter with auxiliary switch fitted		
14		Shunt trip in series with a cut-off main contacts (ST1CO). With flexible leads. Occupies additional pole. (SERIES SHUNT)		
15		Auxiliary switch with flexible leads (internal fitted). Occupies additional pole		

Continues on page 4

SFM - Series Miniature Circuit Breakers - AC

Ordering Information

	Code	Description	Comments
Third Set (s)	Group 9: Number of Poles		
	-	Not Applicable	
	/2	Two pole	
	/3	Three poles	
	/4	Four poles	
	Group 10: Terminal Type		
	A	Rear studs "AC"	
	D	Screw terminal "AC"	
	G	Box terminal "AC"	
	Group 11: Pole Construction		
	0	Switch Disconnecter with auxiliary switch fitted	
	1	Series trip overload with auxiliary switch fitted	
	3	Overload series trip	
6	Shunt trip four terminals. (INTERNAL SHUNT)		
10	Shunt trip (ST1), flexible leads. (EXTERNAL SHUNT)		
11	Shunt trip (ST1), with auxiliary switch fitted. (EXTERNAL SHUNT)		
13	Switch Disconnecter with auxiliary switch fitted		
14	Shunt trip in series with a cut-off main contacts (ST1CO). With flexible leads. Occupies additional pole. (SERIES SHUNT)		
15	Auxiliary switch with flexible leads (INTERNAL FITTED). Occupies additional pole		
Fourth Set (s)	Group 12: Number of Poles		
	-	Not Applicable	
	/2	Two pole	
	/3	Three poles	
	/4	Four poles	
	Group 13: Terminal Type		
	A	Rear studs "AC"	
	D	Screw terminal "AC"	
	G	Box terminal "AC"	
	Group 14: Pole Construction		
	0	Switch disconnecter with auxiliary switch fitted	
	1	Series trip overload with auxiliary switch fitted	
	3	Overload series trip	
	6	Shunt trip four terminals. (INTERNAL SHUNT)	
	10	Shunt trips (ST1), flexible leads. (EXTERNAL SHUNT)	
	11	Shunt trip (ST1), with auxiliary switch fitted. (EXTERNAL SHUNT)	
	13	Switch Disconnecter with auxiliary switch fitted	
	14	Shunt trip in series with a cut-off main contacts (ST1CO). With flexible leads. Occupies additional pole. (SERIES SHUNT)	
	15	Auxiliary switch with flexible leads (internal fitted). Occupies additional pole	
	Group 15: Current Rating		
		1, 2, 4, 6, 10, 15, 16, 20, 25, 30, 32, 40, 50, 63, 70, 80, 100 A	Ratings certification dependant

For options not listed, please contact CBI

SFM - Series Miniature Circuit Breakers - AC

Ordering Information

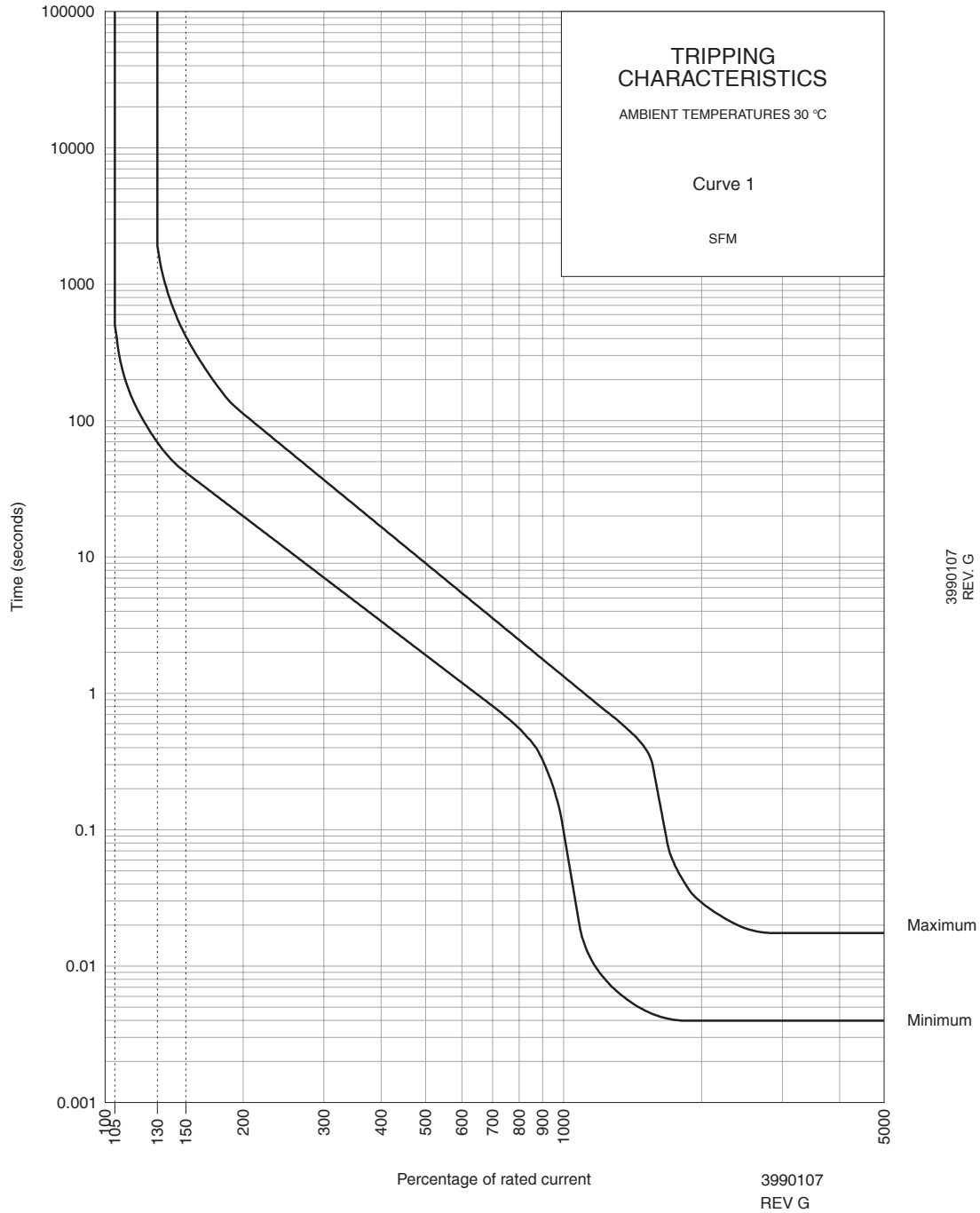
Code	Description	Comments
Group 16: Time Delay		
1	Long time delay	Orange handle
2	Medium time delay	White handle
3	Short time delay	White handle
Group 17: Shunt Trip Voltage		
-	Not Applicable	
24 - 96	24 - 96 Vac or 12 - 48 Vdc	
96 - 250	96 - 250 Vac or 48 - 125 Vdc	
380 - 440	380 - 440 Vac	
Group 18: AC/DC		
AC	Single phase 240 Vac, Three phase 415 Vac	
Group 19: Approvals		
3	AS/NZS 3111	
Z	No approvals	

Note:

- Ordering Information
 - Apply first set group's 3, 4 & 5 followed by group 15, 16, 17, 18 & 19 for when all the poles are of the same construction.
 - Make use of codes for groups 6 to 14 of the second set to the fourth set followed by groups 15, 16, 17, 18 & 19 for when all the poles are of a different construction.
- Auxiliary and Shunt Information
 - Auxiliary switch is fitted on the left hand side of the first pole of the unit.
 - Shunt trip is fitted on the left hand side of the unit.
 - If shunt trip with auxiliary switch (G11) is selected, then both auxiliary switch and shunt trip is fitted on the left hand side of the unit.

SFM - Series Miniature Circuit Breakers - AC

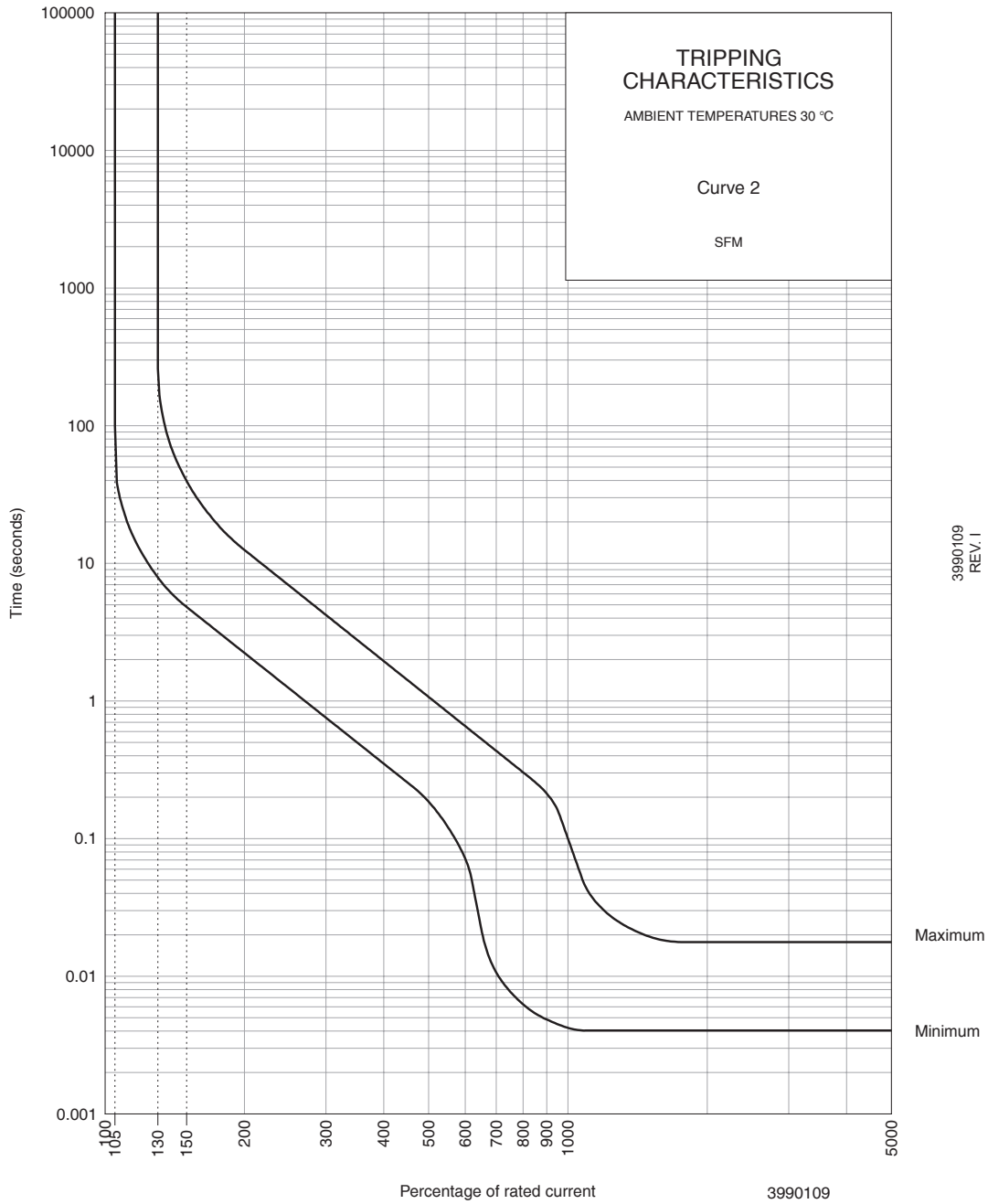
Time Delay Curves



PERCENTAGE OF RATED CURRENT	105%	130%	150%	200%	300%	400%	500%	600%	700%	800%	900%	1000%	1200%
MINIMUM TRIP TIME IN SECONDS	NO TRIP	66	40	20	7	3.5	1.8	1.3	0.8	0.55	0.33	0.1	-
MAXIMUM TRIP TIME IN SECONDS	NO TRIP	1920	408	115	39	18	9	5.4	3.6	2.5	1.8	1.5	0.8

SFM - Series Miniature Circuit Breakers - AC

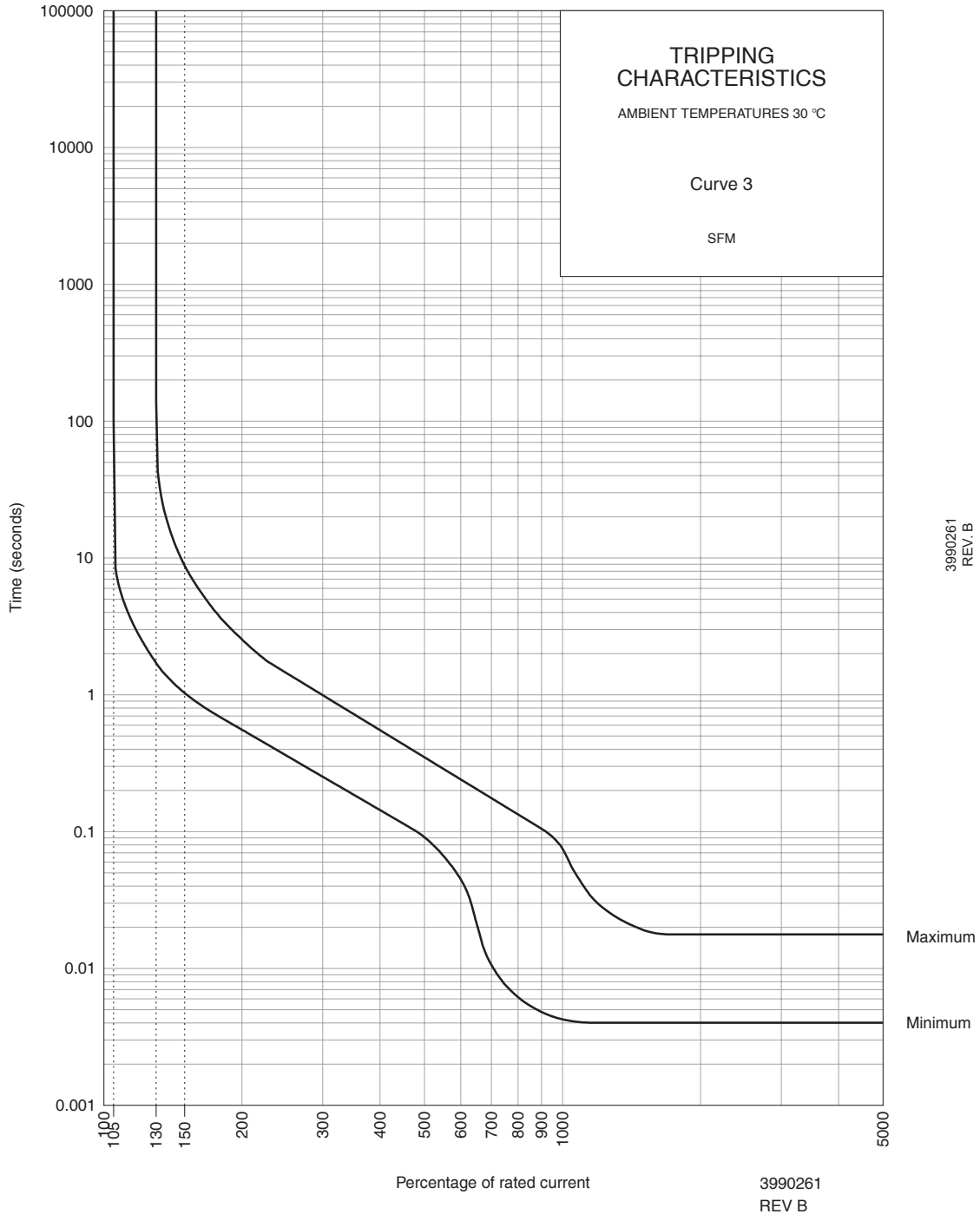
Time Delay Curves



PERCENTAGE OF RATED CURRENT	105%	130%	150%	200%	300%	400%	500%	600%	700%	800%	900%	1000%	1200%
MINIMUM TRIP TIME IN SECONDS	NO TRIP	7.9	4.8	2.2	0.75	0.35	0.19	0.07	0.01	0.006	0.005	0.004	-
MAXIMUM TRIP TIME IN SECONDS	NO TRIP	160	40	12.5	4.2	1.9	1.1	0.65	0.4	0.3	0.22	0.1	0.03

SFM - Series Miniature Circuit Breakers - AC

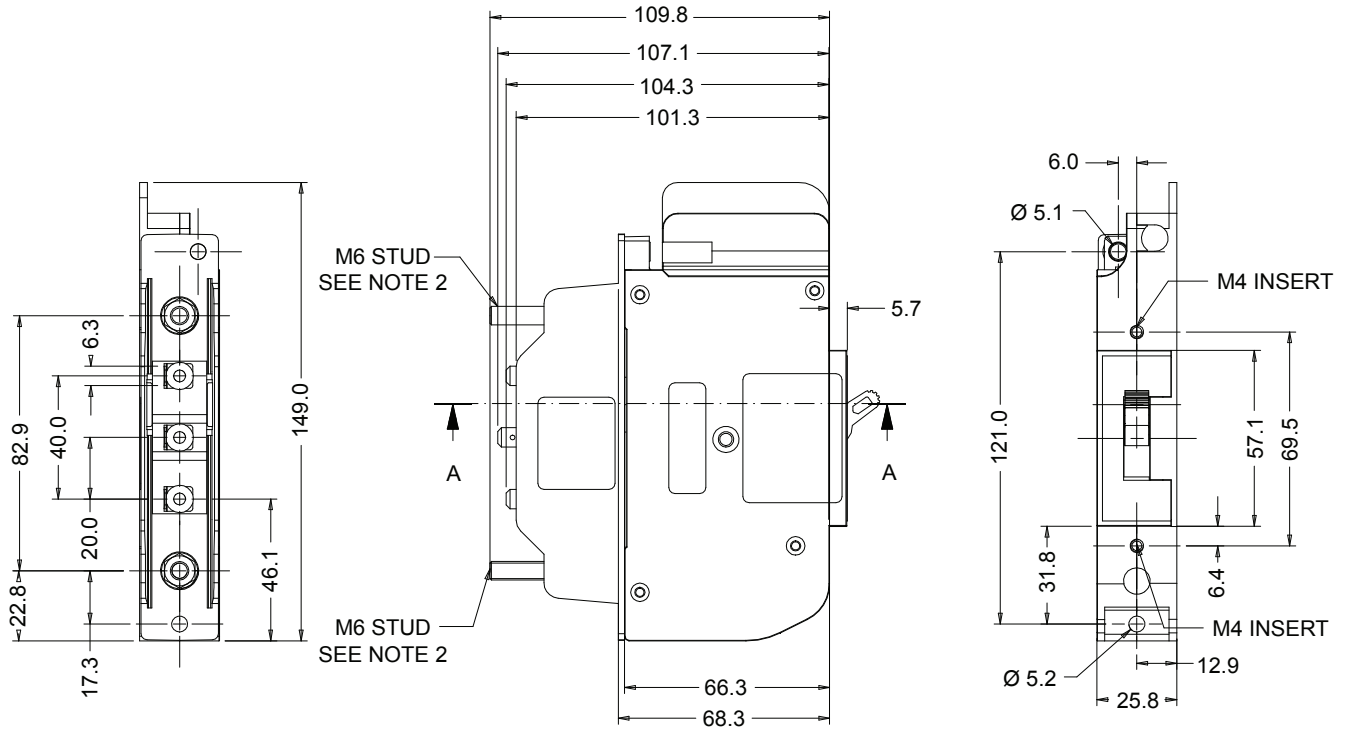
Time Delay Curves



PERCENTAGE OF RATED CURRENT	105%	130%	150%	200%	300%	400%	500%	600%	700%	800%	900%	1000%	1200%
MINIMUM TRIP TIME IN SECONDS	NO TRIP	1.7	1	0.55	0.25	0.15	0.09	0.04	0.01	0.006	0.005	0.0043	0.0043
MAXIMUM TRIP TIME IN SECONDS	NO TRIP	40	8.8	2.5	1	0.55	0.35	0.24	0.018	0.13	0.1	0.0175	0.0175

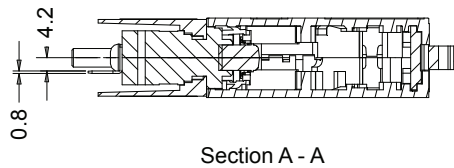
SFM - Series Miniature Circuit Breakers - AC

Outline Dimensions: Auxiliary Switch



NOTES:

- 1 - GENERAL TOLERANCE 0.4 mm
- 2 - PRODUCT CAN BE OFFERED IN STUD TERMINALS (SHOWN), BOX TERMINALS AND LUG TERMINALS



Please review our Customer Terms and Conditions on www.cbi-lowvoltage.co.za

All rights reserved. Unless otherwise indicated, all materials on these pages are copyrighted by CBI (Pty) Ltd. No part of these pages, either text or image may be used for any purpose other than personal use. Therefore, reproduction, modification, storage in a retrieval system or retransmission, in any form or by any means, electronic, mechanical or otherwise, for reasons other than personal use, is strictly prohibited without prior written permission. CBI (Pty) Ltd reserves the right to alter any details of this document without notice and while every effort is made to ensure the accuracy of the content, no warranty is given as to the accuracy of this document and no responsibility will be accepted for error or misinterpretation and any resulting loss.

© CBI (Pty) Ltd. All Rights Reserved.

AUSTRALIA

CBI-electric: Australia
27 Wedgewood Rd, Hallam
Victoria 3803 Australia
Tel: +61 3 8752 9300
Fax: +61 3 9796 5407
Email: sales@cbi-electric.com.au
Website: www.cbi-electric.com.au

SOUTH AFRICA

CBI-electric: low voltage
Tripswitch Drive Elandsfontein
Gauteng South Africa
Tel: +27 11 928 2000
Fax: +27 11 392 2354
Email: internationalsales@cbi-electric.com
cbi@cbi-electric.com
Website: www.cbi-lowvoltage.co.za

USA

CBI-electric: North America
35 E. Uwchlan Ave Suite 328
Exton PA 19341 USA
Tel: +1 610 524 9949
Fax: +1 610 524 9945
E-mail: info@cbibreakers.com
Website: www.cbibreakers.com