

## ASIAN TOOL ROTATING ELECTRICAL CONNECTORS



### Specification & Product Selection Table

Model	Conductor Poles	Current Amp.	Voltage AC/V	Max. Freq. MHZ	Max. RPM	Operating Temp. Max/Min °C	Rotating Torque (gm-cm)	Insulation Resistance
<b>A2S</b>	2	4	250	200	2000	60/-30	75	> 25MΩ
<b>A3S</b>	3	4	250	200	1800	60/-30	100	> 25MΩ
<b>A2H</b>	2	30	250	200	1800	60/-30	200	> 25MΩ
<b>A3M</b>	3	30/4	250	200	1800	60/-30	200	> 25MΩ
<b>A3H</b>	3	30	250	200	1200	60/-30	400	> 25MΩ
<b>A4H</b>	4	30/4	250	200	1200	60/-30	400	> 25MΩ
<b>A6H</b>	6	30/4	250	100	300	60/-30	700	> 25MΩ
<b>A8H</b>	8	30/4	250	100	200	60/-30	1000	> 25MΩ
<b>A1030</b>	10	30/4	250	100	100	60/-30	1500	> 25MΩ
<b>A1230</b>	12	30/4	250	100	60	60/-30	2000	> 25MΩ
<b>A1430</b>	14	30/4	250	100	40	60/-30	3000	> 25MΩ

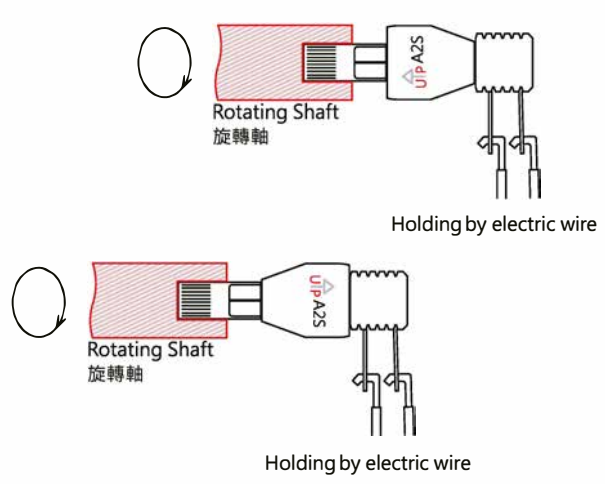
### A2S 2poles/4A/AC250V



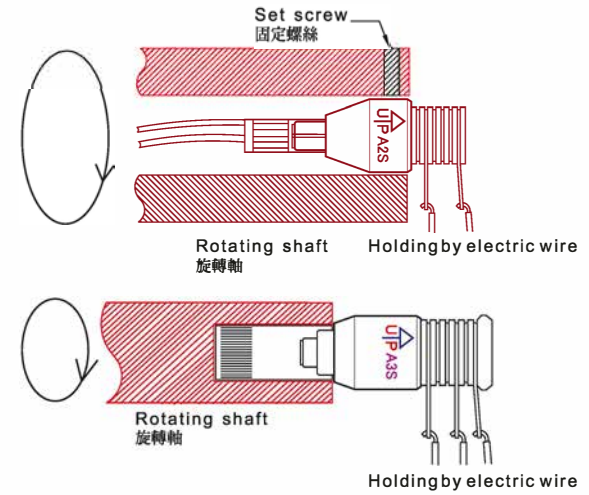
### A3S 3pole/4A/AC250V



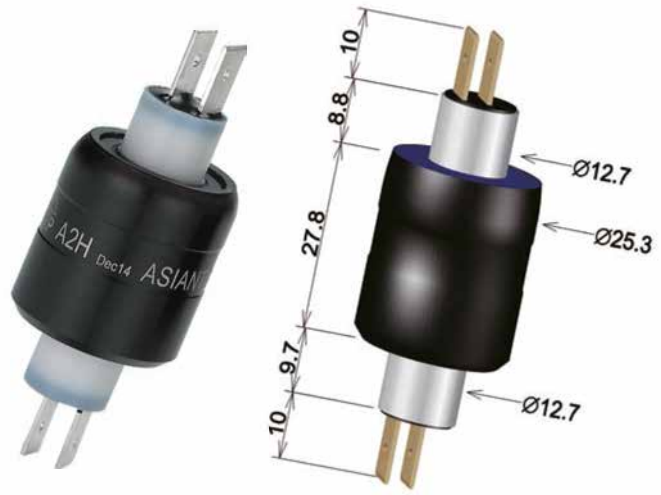
### Mounting



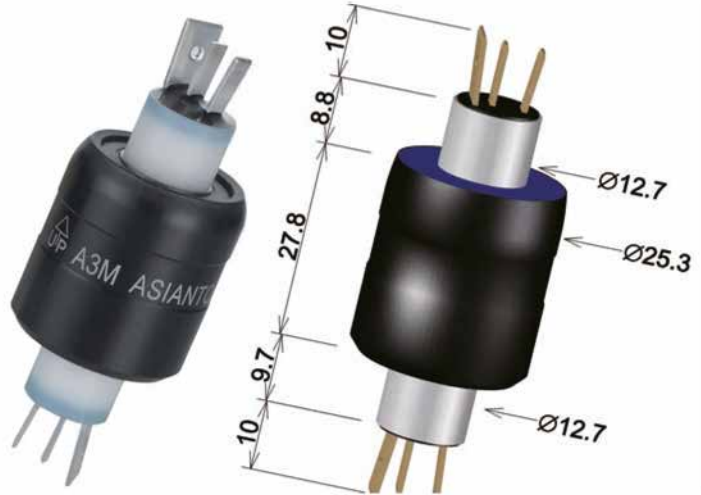
### Mounting



### A2H 2poles/30A/AC250V

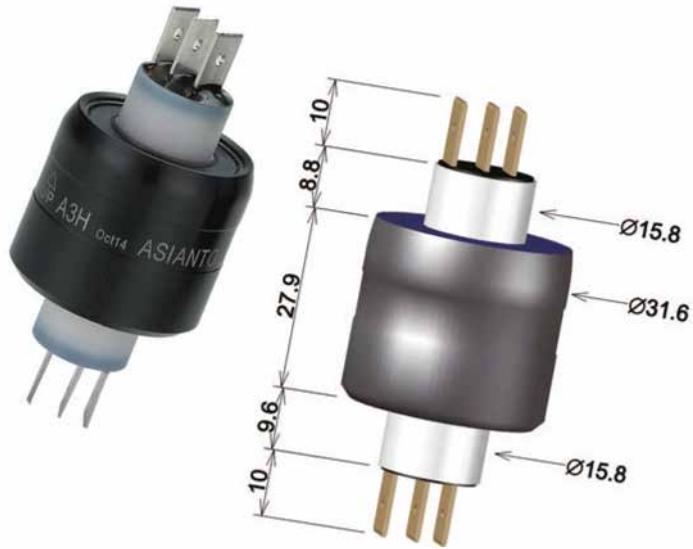


### A3M 1pole/30A & 2poles/4A AC250V





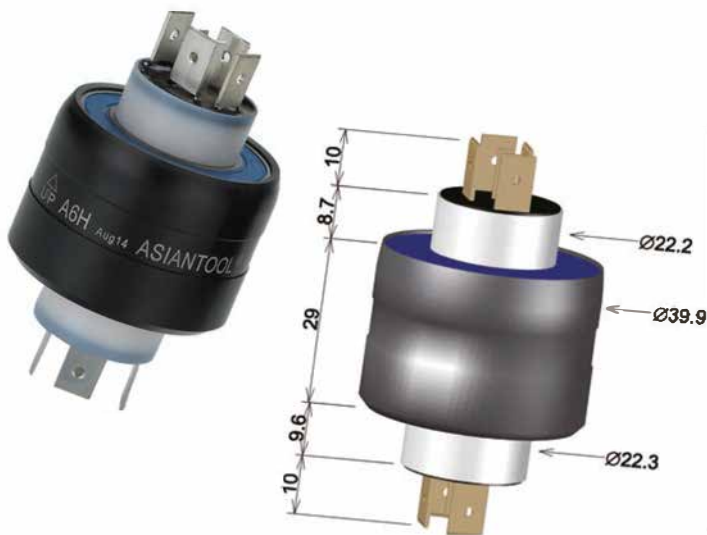
### A3H 3poles/30A/AC250V



### A4H 2poles/30A & 2poles/4A AC250V



### A6H 4poles/30A & 2poles/4A AC250V



### A8H 6poles/30A & 2poles/4A AC250V



### A1030 8poles/30A & 2poles/4A AC250V

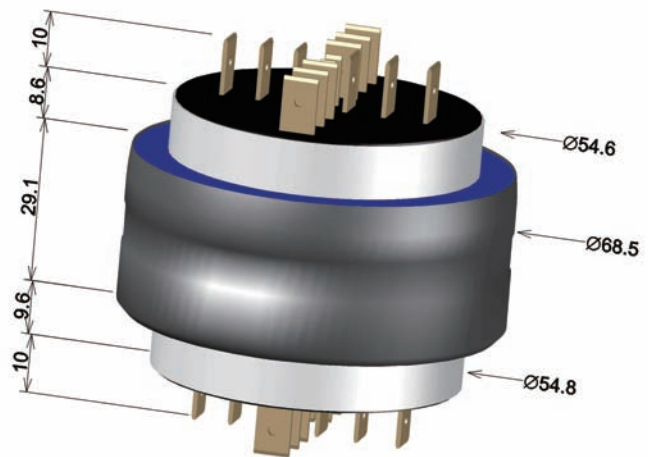


### A1230 10poles/30A & 2poles/4A AC250V



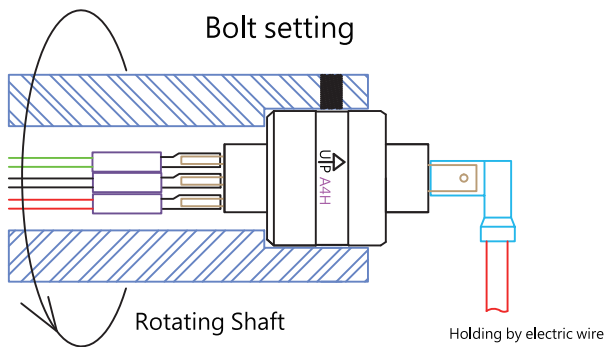


### A1430 12poles/30A & 2poles/4A AC250V



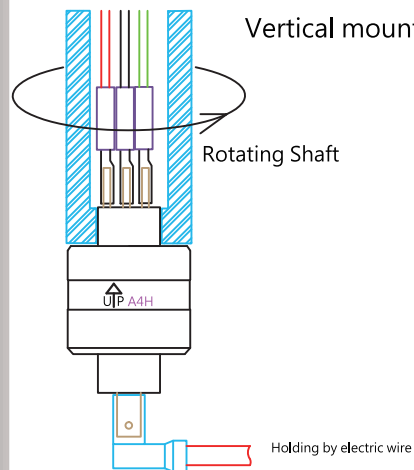
### Horizontal mounting

Horizontal mounting



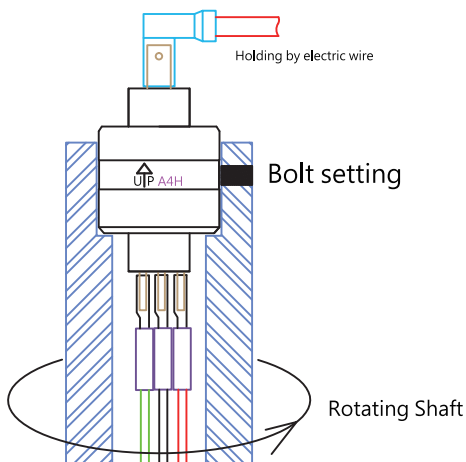
### Vertical mounting (bottom)

Vertical mounting (bottom)



### Vertical mounting (Top)

Vertical mounting (Top)



### Floting fix shaft

Floting fix shaft

