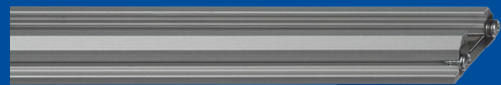


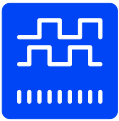


## PMIB3

Magnetic measuring scale  
for posimag<sup>®</sup> sensors



- **Adhesive magnetic tape, applicable also on curved surface**
- **Resistant to contamination**
- **With stainless steel base**
- **High temperature resistance**



## PMIB3 - Magnetic measuring scale for adhesive taping

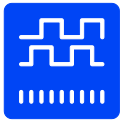
### Specifications – Magnetic measuring scale PMIB3

		Order options	
<b>Magnetic period</b>	2 mm 5 mm	<b>1</b>	20 50
<b>Solid measure</b>	Plastic bonded flexible permanent magnet (elastomer)		
<b>Base material</b>	Stainless steel CrNi 17 7		
<b>Mounting / scope of supply</b>	<b>Version N:</b> adhesive taping, with reference marks, with adhesive tape	<b>2</b>	N
<b>Measurement range</b>	e.g. 100, 500, 1000 ... 30000 mm, up to 50 m on request; further measurement ranges must be divisible by 4 (magnetic period 2 mm) or by 10 (magnetic period 5 mm) resp.	<b>3</b>	100 ... 30000
<b>Linearity at 25°C</b>	up to 30 m: ±40 µm/m up to 50 m: ±80 µm/m		
<b>Reference marks / end position marks (optional)</b>	R1= reference mark on the left R2= reference mark on the right (additional reference marks on request) E1= end position mark on the left E2= end position mark on the right	<b>4</b>	R1 R2  E1 E2
<b>Linear thermal expansion coefficient</b>	17 x 10 <sup>-6</sup> / K		
<b>Operating temperature</b>	-40 ...+100°C		

### Order code

PMIB3	–	<b>1</b>	–	<b>2</b>	–	<b>3</b>	–	<b>4</b>
-------	---	----------	---	----------	---	----------	---	----------

**Order example:** PMIB3 – 50 – N – 1500 – R1



## PMIB3 - Magnetic measuring scale for mounting on profile

### Specifications – Magnetic measuring scale PMIB3 in flat profile or high profile

		Order options	
<b>Magnetic period</b>	2 mm 5 mm	<b>1</b>	20 50
<b>Solid measure</b>	Plastic bonded flexible permanent magnet (elastomer)		
<b>Base material</b>	Stainless steel CrNi 17 7		
<b>Mounting / scope of supply</b>	<b>Version M:</b> mounted on flat profile or high profile, available up to 2800 mm max. <b>Version S:</b> scope of supply as for version M, but not mounted	<b>2</b>	M S
<b>Measurement range</b>	<b>Version M:</b> e.g. 100, 500, 1000 ... 2800 mm <b>Version S:</b> e.g. 100, 500, 1000 ... 30000 mm (up to 50 m on request) Further measurement ranges must be divisible by 4 (magnetic period 2 mm) or by 10 (magnetic period 5 mm) resp.	<b>3</b>	100 ... 2800 100 ... 30000
<b>Linearity at 25°C</b>	up to 30 m: ±40 µm/m up to 50 m: ±80 µm/m		
<b>Reference marks / end position marks (optional)</b>	R1= reference mark on the left R2= reference mark on the right (additional reference marks on request) E1= end position mark on the left E2= end position mark on the right	<b>4</b>	R1 R2 E1 E2
<b>Profile</b>	Magnetic scale in flat profile Magnetic scale in high profile	<b>5</b>	FP HP
<b>Masking tape (optional)</b>	Stainless steel (non magnetic)	<b>6</b>	AB
<b>Linear thermal expansion coefficient</b>	17 x 10 <sup>-6</sup> / K		
<b>Operating temperature</b>	-40 ...+100°C		

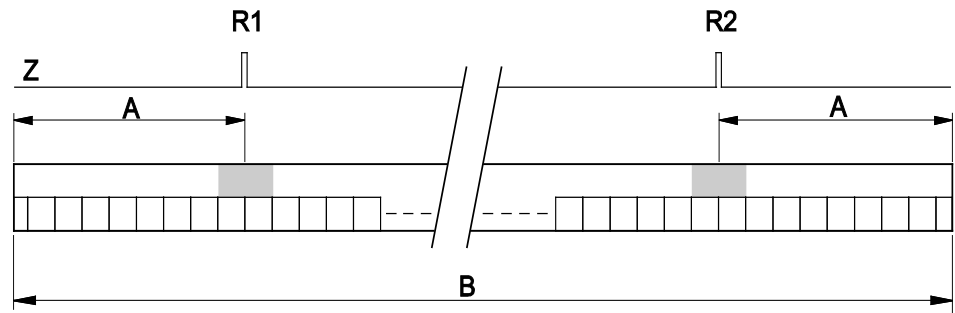
### Order code

PMIB3	-	<b>1</b>	-	<b>2</b>	-	<b>3</b>	-	<b>4</b>	-	<b>5</b>	-	<b>6</b>
-------	---	----------	---	----------	---	----------	---	----------	---	----------	---	----------

**Order example:** PMIB3 – 50 – M – 1500 – R1 – HP – AB

**Order example:** PMIB3 – 50 – S – 4000 – R1 – FP – AB

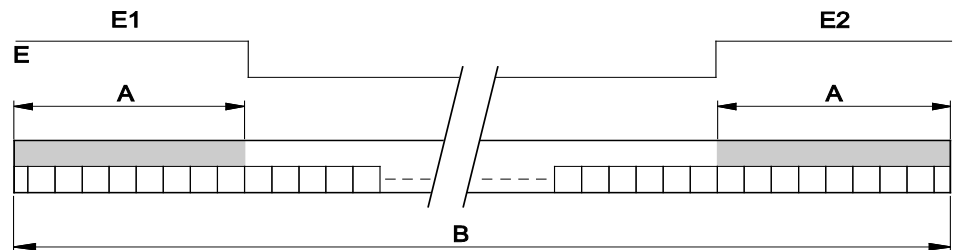
**Position of the reference marks**



**Reference mark dimensions**

Magnetic period	Switching position A	Total length B
2 mm	20.0 ± 1 mm	measurement range + 40 mm
5 mm		
2 mm with high profile	60.0 ± 1 mm	measurement range + 120 mm
5 mm with high profile		

**Position of the end position marks**



**End position mark dimensions**

Magnetic period	Switching position A	Total length B
2 mm	21.0 ± 1 mm	measurement range + 50 mm
5 mm	22.5 ± 1 mm	measurement range + 50 mm
2 mm with high profile	61.0 ± 1 mm	measurement range + 130 mm
5 mm with high profile	62.5 ± 1 mm	measurement range + 130 mm

## Accessories

### Masking tape PMAB

Masking tape made of stainless steel for posimag®  
magnetic scale PMIB3, width 10 mm, thickness 0.2 mm

Order code

**PMAB**

-

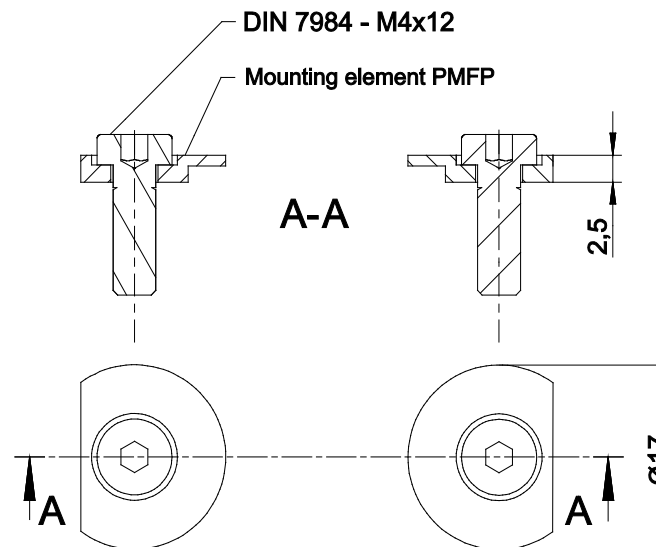
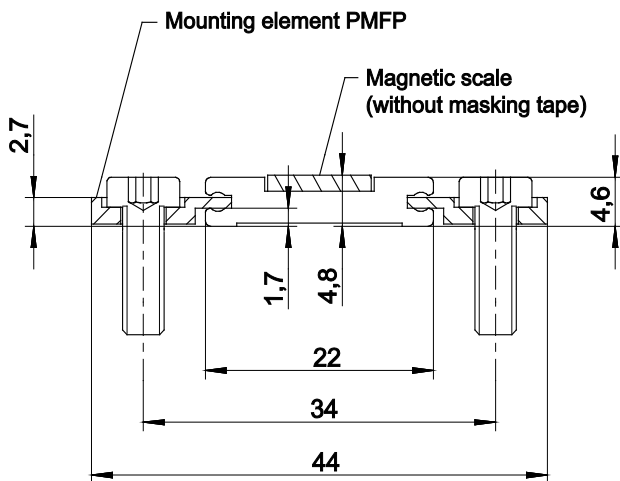
**10MM**

-

Length in mm

### Flat profile PMFP

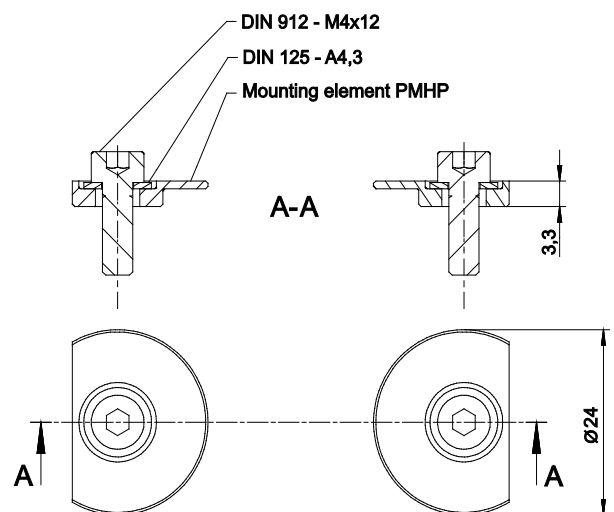
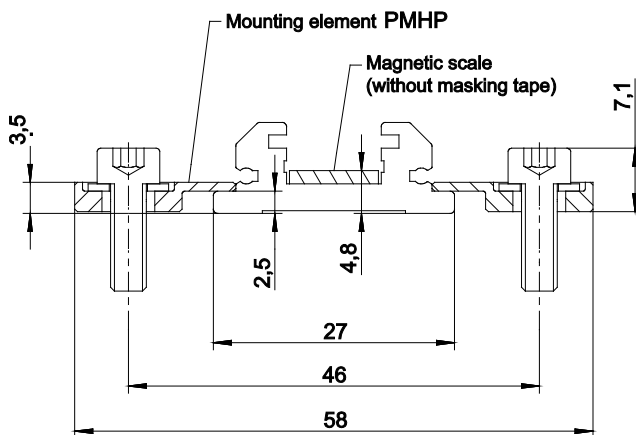
#### PMFP-BFS1



Mounting element PMFP-BFS1

### High profile PMHP

#### PMHP-BFS1



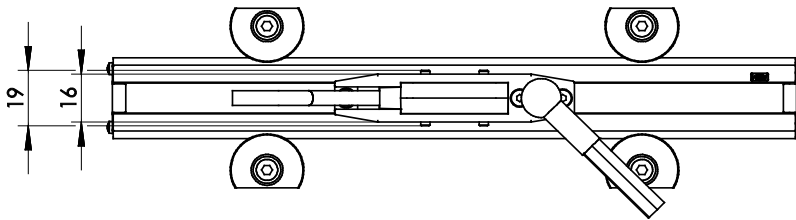
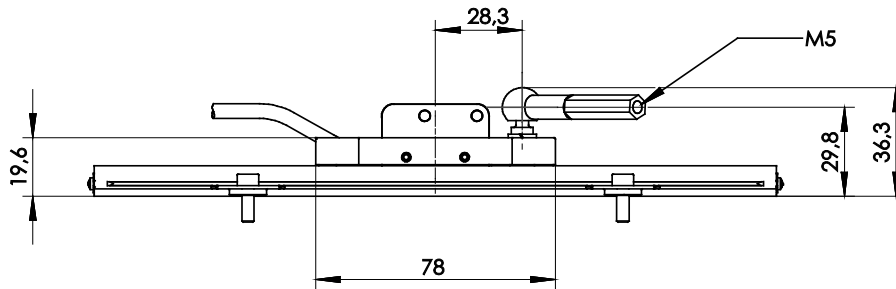
Mounting element PMHP-BFS1

Dimensions in mm [inch].

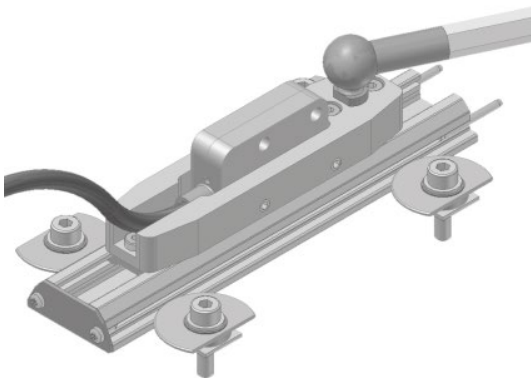
Dimensions informative only.

For guaranteed dimensions consult factory.

Slider for high profile PMGW3



Dimensions in mm [inch].  
Dimensions informative only.  
For guaranteed dimensions consult factory.



**Chemical durability – Elastomer magnetic scales (PMIB3)**

<b>no / little influence</b>	<b>weak / middle influence</b>	<b>strong influence</b>
motor oils	JP-4 fuel (Jet fuel)	aromatic hydrocarbon (benzene, toluene, xylene)
gear oils	gasoline/petrol	ketone
ATF (automatic transmission fluid)	heptane	anorganic acids (HCl, H2SO4)
hydraulic fluid	alcohol	
kerosene		
antifreeze agent		
purifying agent		
turpentine		
water		
sea water/salt water		