

CIOD58P – INCREMENTAL OPTICAL ENCODER Ø58 – SOLID SHAFT DUPLICATED OUTPUT

Technical characteristics

Output	Push-Pull, RS422 compatible
Power supply	4.75 ... 32 Vdc
Resolution	1 to 100 000 PPR
Max. admissible rotational speed	12000 turns/min
Max. continuous rotational speed	9000 turns/min
Max. axial torque	50N
Max. radial torque	100 N
Material	Body and cover: aluminium (RohS) Shaft: stainless steel
Protection	IP65 (IP67 optional)
Connections	M23 – 12 pins CW M12 – 8 pins (A coding) PVC cable 8 wires (standard length 2m)
Weight	~ 300 g
Operating temperature	-20°C ... +100°C
Storage temperature	-40°C ... +100°C



Ordering reference

CIOD58P_10 – PPCA – 002048 – AR1 – A00

Model CIOD58P_	
Shaft diameter 06 = Ø6mm - length 10mm 10 = Ø10mm <i>Other on demand</i>	
Output stage PP = Push-Pull output, RS422 compatible	
Supply C = 4.75 - 32Vdc	
Output signals A = A, B, 0, /A, /B, /0 (A & B gated) (standard) <i>Other : please consult us</i>	
Resolution All resolutions from 1 to 100 000 PPR	
Connections A = M23 – 12 pins CW F = M12 – 8 pins (A coding) G = PVC cable 8 wires <i>Other connection on demand</i>	
Orientation R = Radial	
Connection type 1 = Standard (please refer to the connections table) <i>Other: please consult us</i>	
Cable length (for G connection) /xx = for example /03 for 3m long cable	
Mechanical options A = None B = IP67	
Electronics options 00 = None	



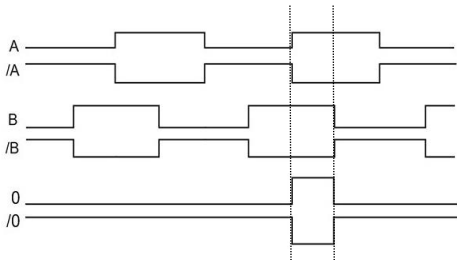
Electrical characteristics

PPCA electronics

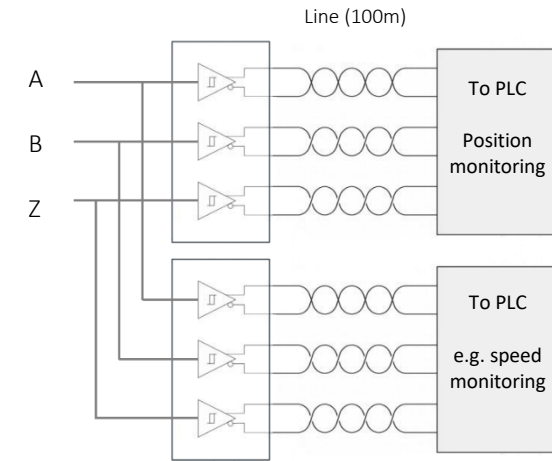
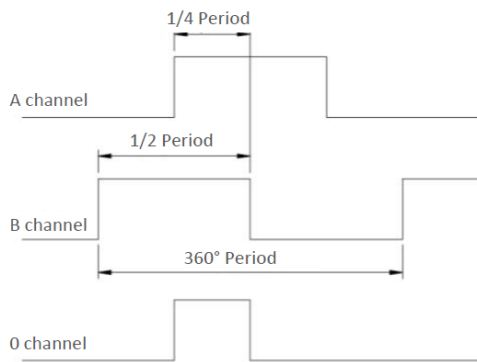
Output stage: Push-Pull – compatible RS422
 Power supply: 4.75 ... 32Vdc
 Consumption without load:
 at 5Vdc = 300 mA
 at 12Vdc = 80 mA
 at 24Vdc = 30 mA
 at 32Vdc = 25 mA
 Protected against over-voltage, polarity inversion and overcurrent

Output signals

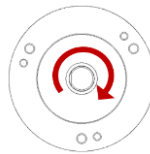
0 calibrated on A & B (standard)



Signals tolerance



B channel (rising edge) before A in CW direction, view on axis.

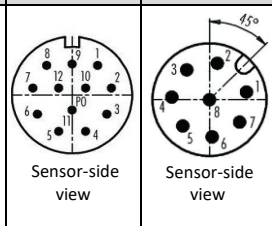


Period : 360° (electrical)
 Duty cycle : 180° ± 10%
 Phase shift : 90° ± 25%
 Starting time : less than 100ms

Connections type 1

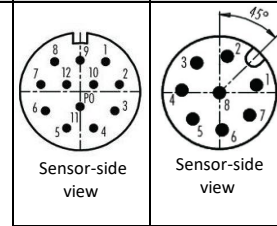
Connector 1

Standard connection	M23 - 12 pins CW	M12 - 8 pins A coding	Cable 8 wires
Power supply -	1	1	White
Power supply +	2	2	Brown
Channel A	3	3	Green
Channel B	4	4	Yellow
Channel 0	5	5	Grey
Channel A/	6	6	Pink
Channel B/	7	7	Blue
Channel 0/	8	8	Red
NC	9 – 10 – 11 – 12	/	/



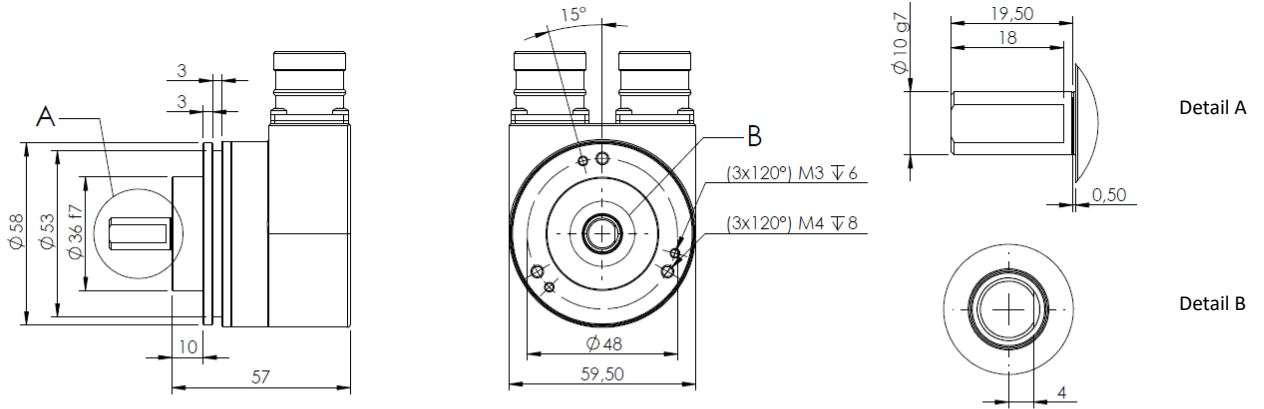
Connector 2

Standard connection	M23 - 12 pins CW	M12 - 8 pins A coding	Cable 8 wires
Power supply -	1	1	White
Power supply +	NC	NC	NC
Channel A	3	3	Green
Channel B	4	4	Yellow
Channel 0	5	5	Grey
Channel A/	6	6	Pink
Channel B/	7	7	Blue
Channel 0/	8	8	Red
NC	9 – 10 – 11 – 12	/	/



Dimensional drawing

Encoder CIO58P_10 (solid shaft Ø10)



Encoder CIO58P_06 (solid shaft Ø6 and integrated synchro flange)

