

CIO24P - Incremental encoder Ø24 mm – Solid shaft

Technical characteristics

Power supply and output	4.75 to 32 Vdc –Push-Pull output (RS422 compatible)
Resolution	64 ; 128 ; 256 ; 512 ; 1024 PPR
Max. admissible rotational speed	12000 turns/min
Max. continuous rotational speed	12000 turns/min
Axial load	20N
Radial load	60N
Material	Body and cover: aluminum (RohS) Shaft: stainless steel
Protection	IP65 (IP67 optional)
Connections	M8 – 4 pins PVC cable 8 wires
Weight	approx. 50 g
Operating temperature	-20°C ... +100°C
Storage temperature	-40°C ... +100°C



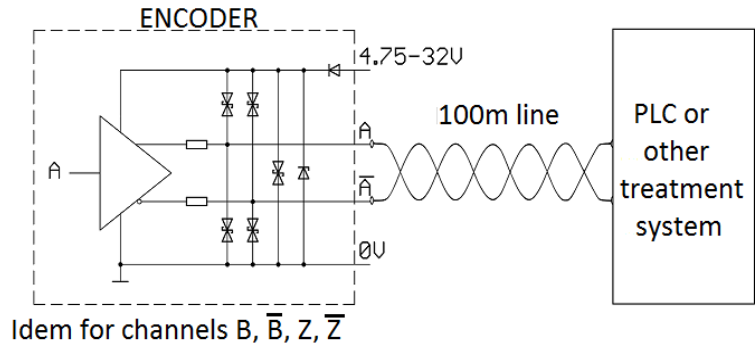
Ordering reference

	CIO24P_06	-	PPCA	-	01024	-	GR1/03	-	A0
Model	<div style="border: 1px solid black; padding: 5px; margin-bottom: 5px;"> CIO24P </div> <div style="border: 1px solid black; padding: 5px; margin-bottom: 5px;"> Shaft diameter 04 = 4mm 05 = 5mm 06 = 6mm <i>Other: please consult us</i> </div> <div style="border: 1px solid black; padding: 5px; margin-bottom: 5px;"> Output stage PP = Push-Pull output, RS422 compatible </div> <div style="border: 1px solid black; padding: 5px; margin-bottom: 5px;"> Supply C = 4.75 - 32Vdc </div> <div style="border: 1px solid black; padding: 5px; margin-bottom: 5px;"> Output signals A = channels A, B, 0, /A, /B, /0 (0 gated A & B) (standard) B = one channel C = channels A, B, /A, /B D = channels A, B, 0, /A, /B, /0 (A gated) E = channels A and B </div> <div style="border: 1px solid black; padding: 5px; margin-bottom: 5px;"> Resolution 64 ; 128 ; 256 ; 512 ; 1024 </div> <div style="border: 1px solid black; padding: 5px; margin-bottom: 5px;"> Connections G = PVC cable 8 wires O = M8 – 4 pins <i>Other: please consult us</i> </div> <div style="border: 1px solid black; padding: 5px; margin-bottom: 5px;"> Orientation A = Axial R = Radial </div> <div style="border: 1px solid black; padding: 5px; margin-bottom: 5px;"> Connection type 1 = Standard (please refer to the connection table) <i>Other: please consult us</i> </div> <div style="border: 1px solid black; padding: 5px; margin-bottom: 5px;"> Cable length for connection G /xx = example: /03 for 3m long cable </div> <div style="border: 1px solid black; padding: 5px; margin-bottom: 5px;"> Mechanical options A = None B = IP67 </div> <div style="border: 1px solid black; padding: 5px; margin-bottom: 5px;"> Electronics options 0 = None </div>								

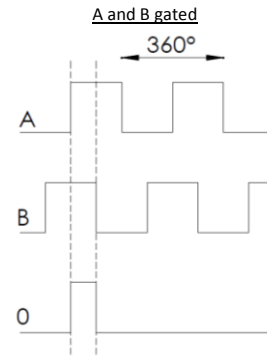
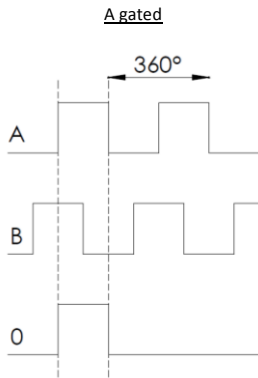
Electronic characteristics

Push-Pull version

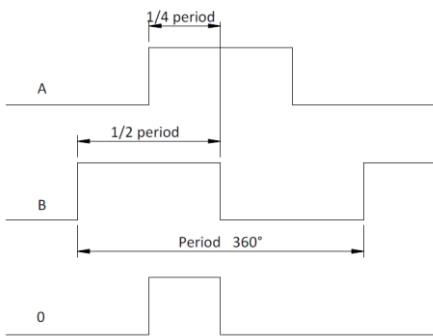
Power supply : 4.75 – 32VDC
 No-load consumption : 40mA
 Overvoltage, short circuits, reverse polarities and overcurrent protection



Output signals

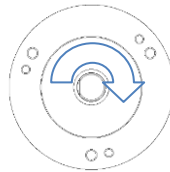


Signals tolerance



B channel (rising edge) leads A channel in CW rotation, view on shaft.

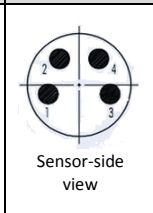
CW rotation direction:



Period: 360° electrics
 Duty cycle: 180° ± 10%
 Phase shift: 90° ± 25%

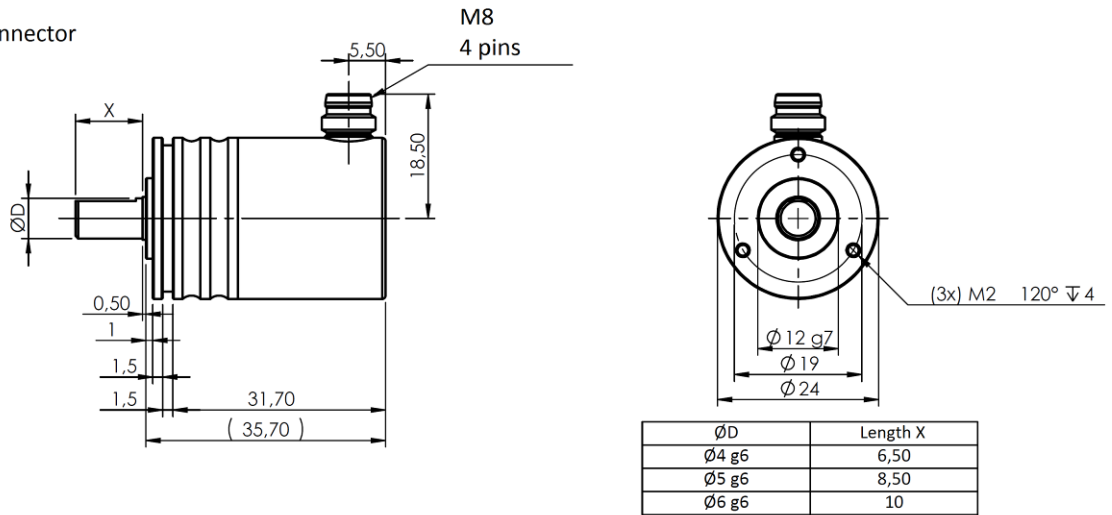
Connections type 1

Standard connection	M8 4 pins	PVC cable 8 wires
Power -	1	White
Power +	2	Brown
Channel A	3	Green
Channel B	4	Yellow
Channel 0		Grey
Channel A/		Pink
Channel B/		Blue
Channel 0/		Red

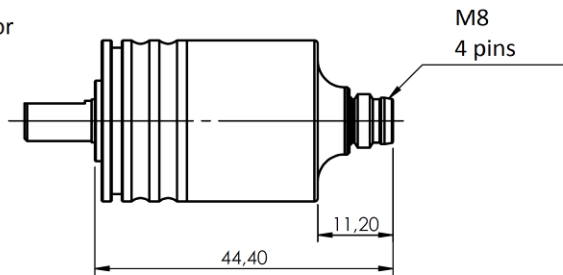


Technical drawings

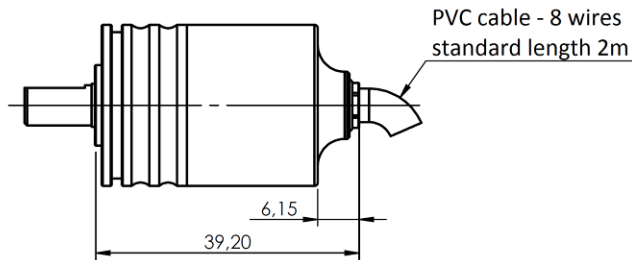
M8 radial connector



M8 axial connector



Axial PVC cable



Radial PVC cable

