

# CD1850 analog output – Measurement range 0 up to 50 000 mm

## Specifications:

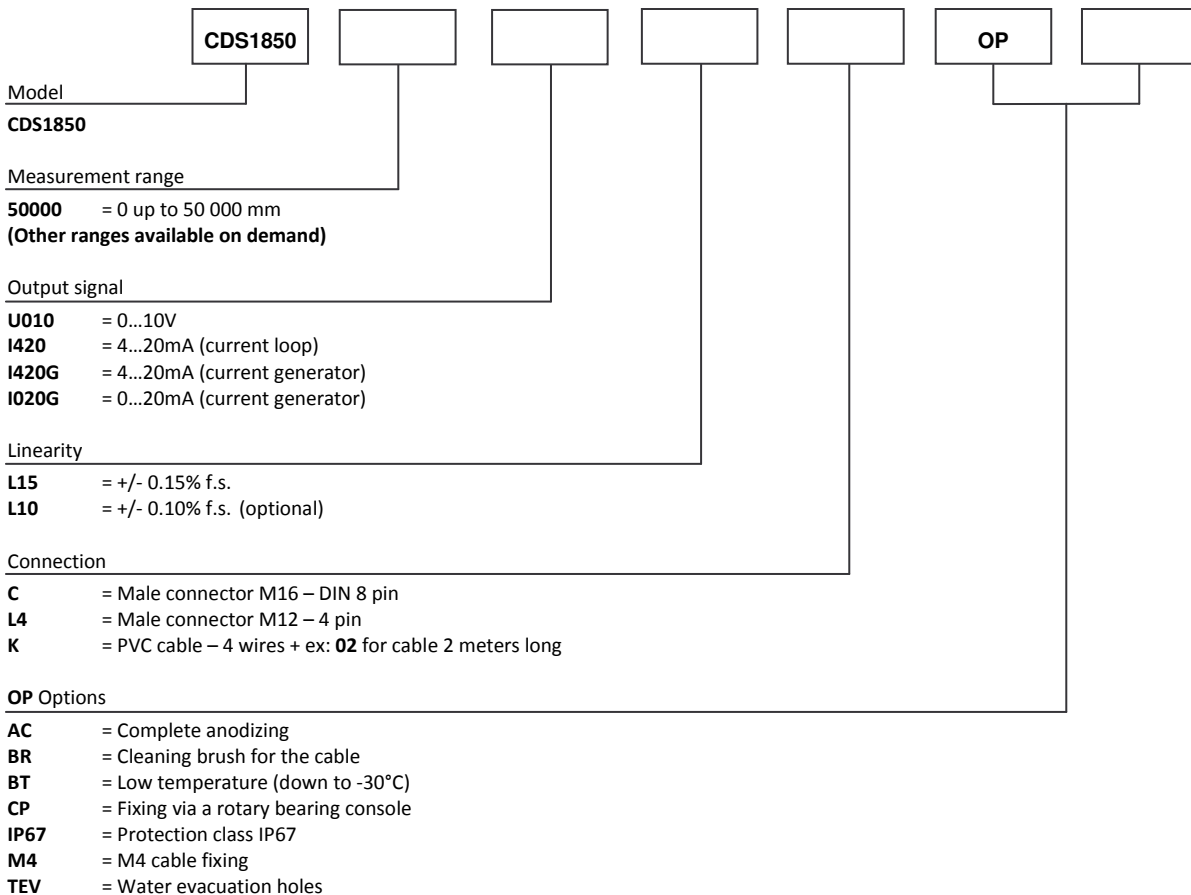
Measurement range	0 up to 50 000 mm
Output signal	0...10V (galvanic isolation) 4...20mA current loop 4...20mA current generator (galvanic isolation) 0...20mA current generator (galvanic isolation)
Resolution	Quasi infinite (depends on the operating system)
Material	Body and cover - aluminium (RohS) Measuring cable - Stainless steel
Cable diameter	0,90 mm
Detection element	Multi-turn Hybrid potentiometer
Connection	Male connector M16 – DIN 8 pin Male connector M12 – 4 pin PVC cable – 4 wires
Standard linearity	+/- 0,15% f.s. +/- 0,10% f.s. (optional)
Protection class	IP65
Max. Velocity	10 m/s
Max. Acceleration	1 m/s <sup>2</sup> (before cable deformation)
Weight	≈ 23 kg
Operating temperature	-20° to +70°C
Storage temperature	-30° to +100°C



## Cable forces:

Measurement range in mm	Min. pull-out force	Max. pull-out force
50 000	≈ 15,00 N	≈ 30,00 N

## Ordering reference:



Reference example: CDS1850-50000-U010-L15-K02-OP-AC-M4

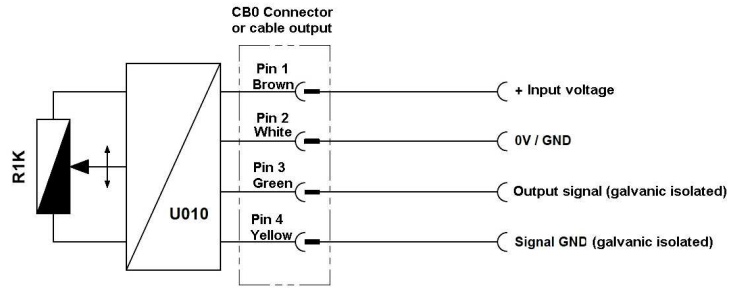


Tel : +33 (0)3 88 02 09 02 / Fax : +33 (0)3 88 02 09 03 / E-mail : info@ak-industries.com / Web : http://www.ak-industries.com

**Electrical characteristics :**

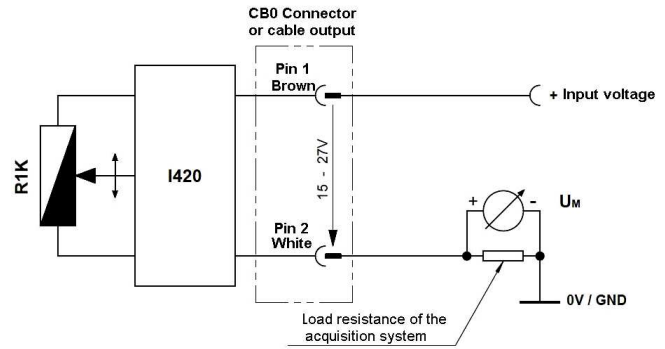
**Analog 0 ... 10V :**

Input voltage 15 to +27 Vdc (52mA max)  
 Output voltage 0 to 10 Vdc  
 Output current 10mA max.  
 Galvanic isolation 3KV  
 Protection for Short circuit and polarity reversal  
 Temperature drift +/-100 ppm/°C



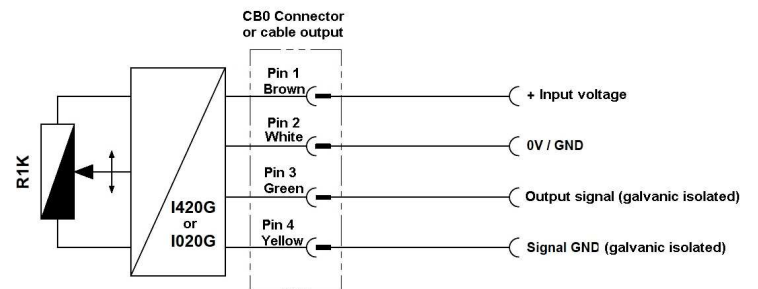
**Analog 4 ... 20mA : (2-wires current loop)**

Input voltage +15 to +27 Vdc (32mA max)  
 Output current 4 to 20mA  
 Protection for Short circuit and polarity reversal  
 Temperature drift +/-100 ppm/°C



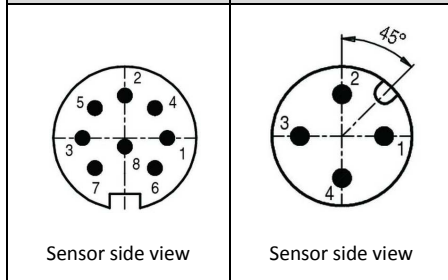
**Analog 4...20mA or 0...20mA : (Current generator)**

Input voltage +15 à +27 Vdc (75mA max)  
 Output current 4 to 20mA or 0 to 20mA  
 Output current 22 mA max.  
 Galvanic isolation 3KV  
 Protection for Short circuit and polarity reversal  
 Temperature drift +/-100 ppm/°C



**Connection :**

8-pin M16 Male connector (DIN)	4-pin M12 Male connector	4-wire PVC cable	010V	I420	I420G or I020G
1	1	Brown	Input voltage +	Signal +	Input voltage +
2	2	White	Input voltage GND	Signal -	Input voltage GND
3	3	Green	Signal +		Signal +
4	4	Yellow	Signal GND		Signal GND

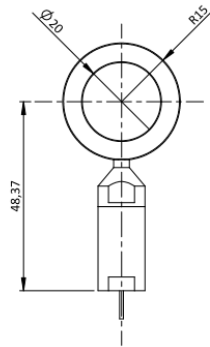


**Options:**

**Cable attachment head:**

**Standard**

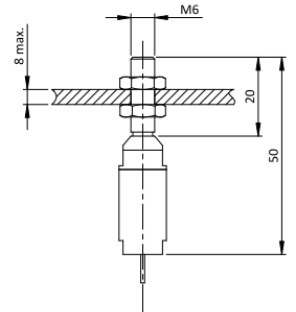
The attachment head is fixed with a M6 screw or a bearing console.



**Cable attachment fitted with a M6 threaded rod:**

**OP-M6**

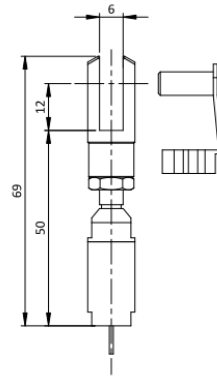
The rod attachment uses a threaded rod with 2 nuts (provided). The required thickness of the plate does not exceed 8 mm.



**Fixing via a rotary bearing console :**

**OP-CP**

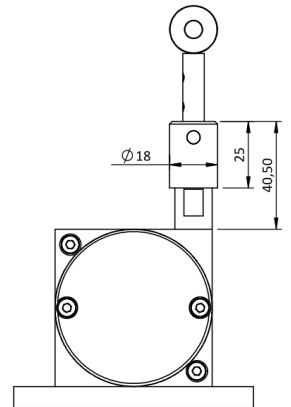
The attachment of the bearing console is done using a pin (provided).



**Cleaning brush for the cable:**

**OP-BR**

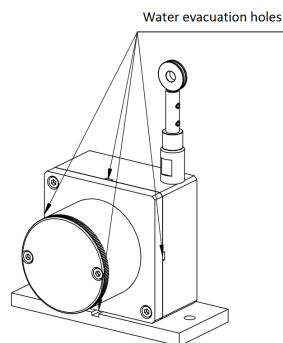
The cleaning brush wipes the cable in dusty or humid environments.



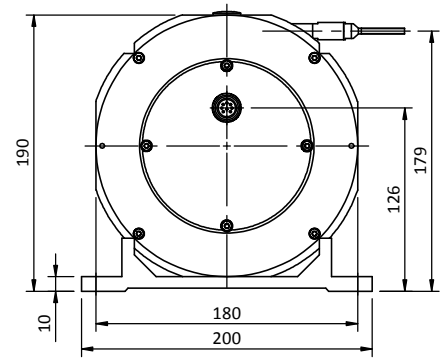
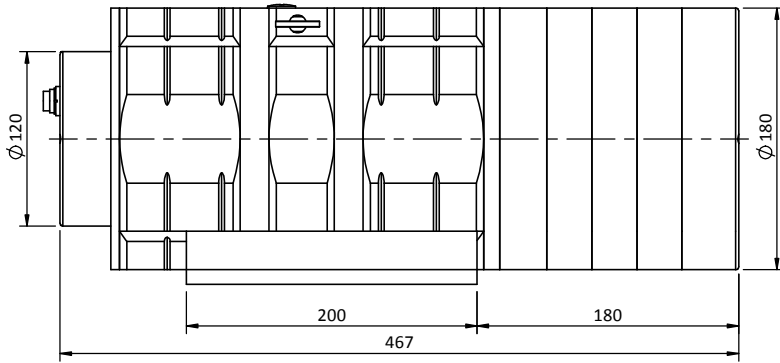
**Water evacuation holes:**

**OP-TEV**

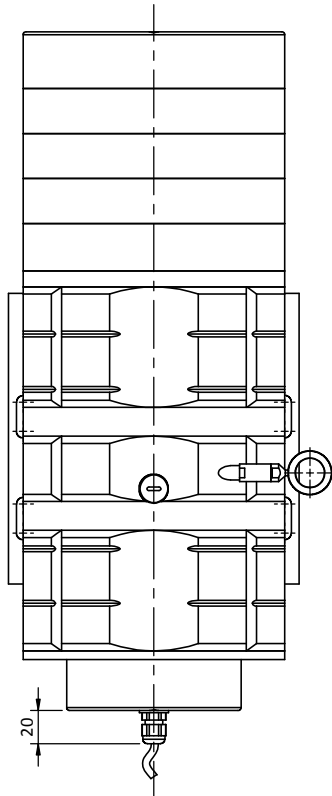
The holes allow the natural flow of fluids out of the sensor in order to avoid their accumulation in the system.



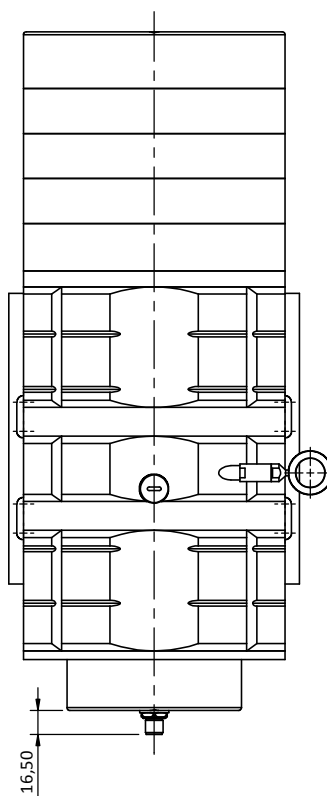
**Dimensional Drawing**



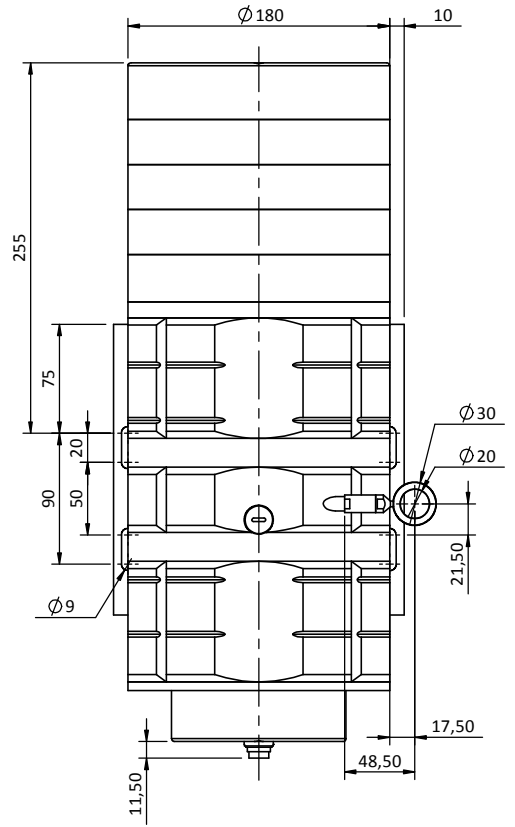
**K connection**  
(PVC cable - 4 wires)



**L4 connection**  
(Connector M12 - 4 pin)



**C connection**  
(Connector M16 - DIN 8 pin)



**scalable sole**

