

CD80 incremental output - Measurement range 0 up to 2500 mm

Specifications:

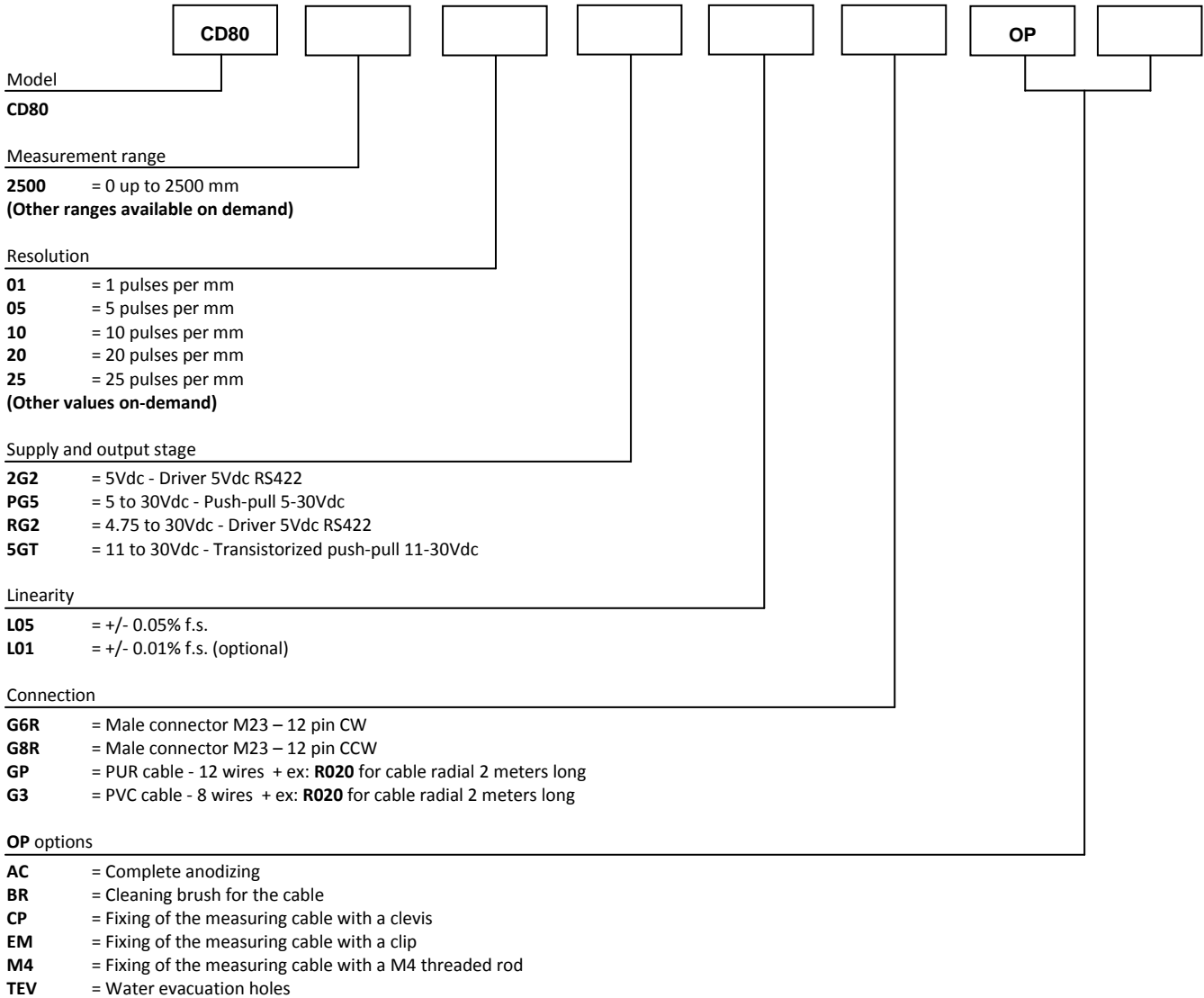
Measurement range	0 up to 2500 mm
Sensing device	Incremental encoder
Supply and output stage	2G2 (5Vdc - Driver 5Vdc RS422) PG5 (5 to 30Vdc - Push-pull 5-30Vdc) RG2 (4.75 to 30Vdc - Driver 5Vdc RS422) 5GT (11 to 30Vdc - Transistorized push-pull 11-30Vdc)
Resolution	1 - 5 - 10 - 20 or 25 pulses per mm
Material	Body and cover - aluminium (RohS) Measuring cable – Stainless steel
Cable diameter	0,60 mm
Connection	Male connector M23 – 12 pin CW Male connector M23 – 12 pin CCW PUR cable - 12 wires PVC cable - 8 wires
Standard linearity	+/- 0,05% f.s. +/- 0,01% f.s. (optional)
Protection class	IP64
Max. Velocity	10 m/s
Max. Acceleration	8 m/s ² (before cable deformation)
Weight	≈ 1500 g
Operating temperature	-20° to +85°C
Storage temperature	-40° to +85°C



Cable forces:

Measurement range in mm	Min. pull-out force	Max. pull-out force
2500	≈ 7,50 N	≈ 11,00 N

Ordering reference:



Reference example: **CD80-2500-05-PG5-L05-G6R-OP-AC-EM**



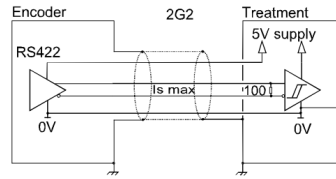
Tel : +33 (0)3 88 02 09 02 / Fax : +33 (0)3 88 02 09 03 / E-mail : info@ak-industries.com / Web : http://www.ak-industries.com

Electrical characteristics

Output stage and power supply

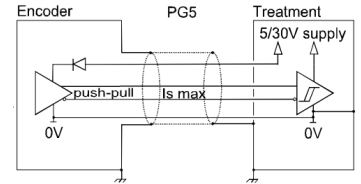
Electronic 2G2 (100°C, 300kHz)

Supply : 5Vdc \pm 10%
 Cons. without load : 75mA max
 Current per channel : 40mA max
 0 max (Is=20mA) : $V_{ol} = 0,5Vdc$
 1 min (Is=20mA) : $V_{oh} = 4Vdc$



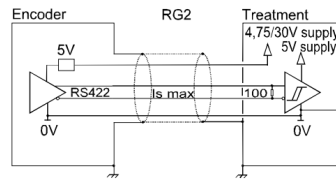
Electronic PG5 (100°C, 300kHz)

Supply : 5 to 30Vdc
 Cons. without load : 75mA max
 Current per channel : 40mA max
 0 max (Is=20mA) : $V_{ol} = 0,5Vdc$
 1 min (Is=20mA) : $V_{oh} = V_{cc} - 2,5Vdc$



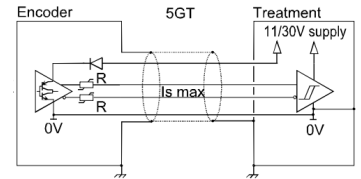
Electronic RG2 (100°C, 300kHz)

Supply : 4,75 to 30Vdc
 Cons. without load : 75mA max
 Current per channel : 40mA max
 0 max (Is=20mA) : $V_{ol} = 0,5Vdc$
 1 min (Is=20mA) : $V_{oh} = 4Vdc$



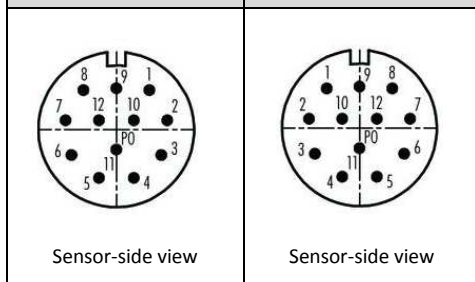
Electronic 5GT (70°C, 120kHz)

Supply : 11 to 30Vdc
 Cons. without load : 75mA max
 Current per channel : 40mA max
 0 max (Is=20mA) : $V_{ol} = 1,5Vdc$
 1 min (Is=20mA) : $V_{oh} = V_{cc} - 2,5Vdc$



Standard connection

Male connector M23 12 Pin - CW	Male connector M23 12 Pin - CCW	PVC cable 8 wire	PUR cable 12 wire	Standard connection
1	10 + 11	White	White + White/Green	Supply -
2	2 + 12	Brown	Brown + Brown/Green	Supply +
3	8	Green	Grey	A
4	5	Yellow	Brown	B
5	3	Grey	Red	0
6	1	Pink	Pink	A/
7	6	Blue	Green	B/
8	4	Red	Black	0/



Sensor-side view

Sensor-side view



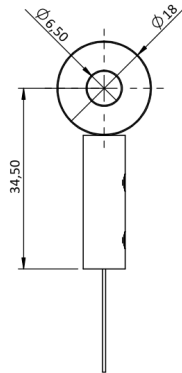
Tel : +33 (0)3 88 02 09 02 / Fax : +33 (0)3 88 02 09 03 / E-mail : info@ak-industries.com / Web : http://www.ak-industries.com

Options :

Cable attachment with a lug :

Standard

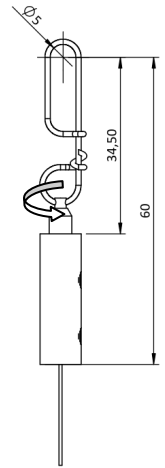
The attachment lug is fixed with a M6 screw or a clevis.



Cable attachment with a clip :

OP-EM

This fastening system allows a rotation about its axis.
The clip is fixed with a M4 screw or a clevis.



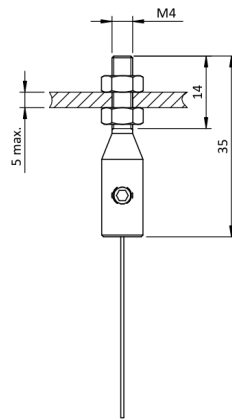
Cable attachment fitted with a M4 threaded rod:

OP-M4

The rod attachment uses a threaded rod with 2 nuts (provided).
The required thickness of the plate does not exceed 5 mm.

Caution

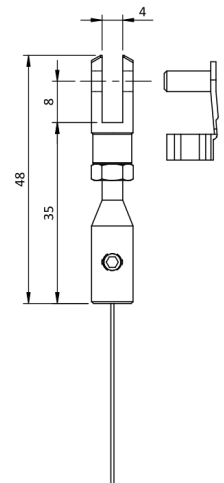
Never screw the threaded rod into a fixed nut, a twist of the measurement cable would damage it.



Cable attachment with a clevis :

OP-CP

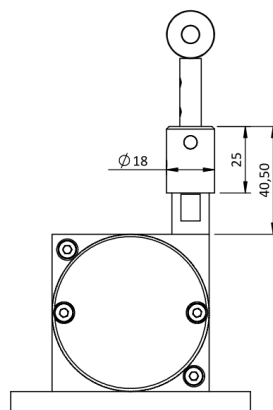
The attachment of the clevis is done using a pin (provided).



Cable cleaning brush:

OP-BR

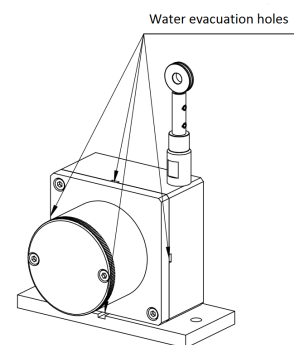
The cleaning brush wipes the cable in dusty or humid environments.



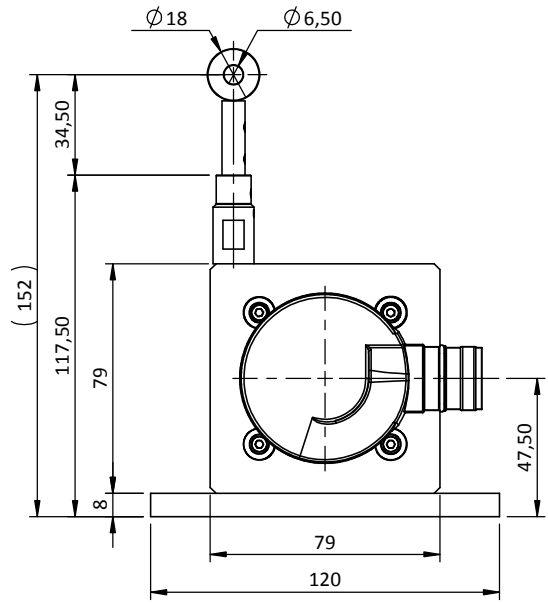
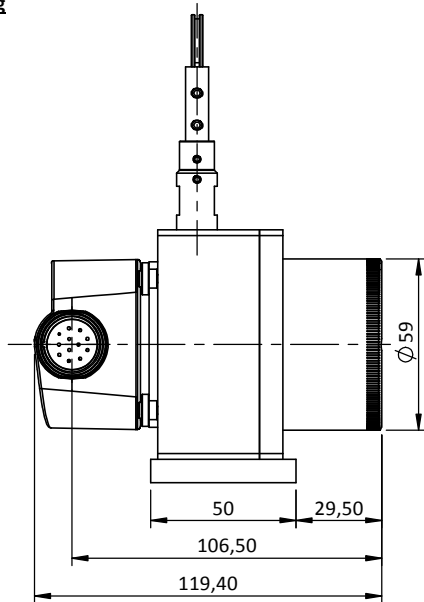
Water evacuation holes:

OP-TEV

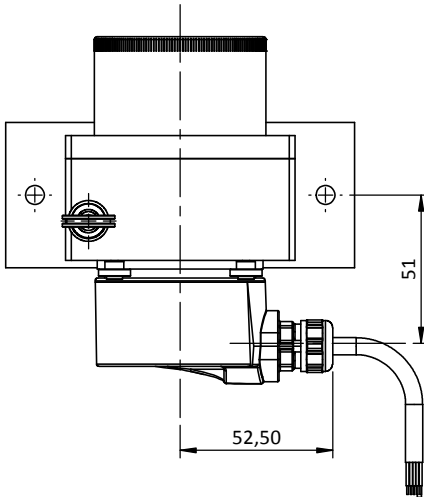
The holes allow the natural flow of fluids out of the sensor in order to avoid their accumulation in the system.



Dimensional Drawing



With DHM5 encoder
GPR or G3R connection
(PUR cable - 12 wires or PVC cable - 8 wires)



With DHM5 encoder
G6R or G8R connection
(Male connector M23 - 12 pin CW or CCW)

