

# CD80 absolute output - Measurement range 0 up to 2500 mm

## Specifications:

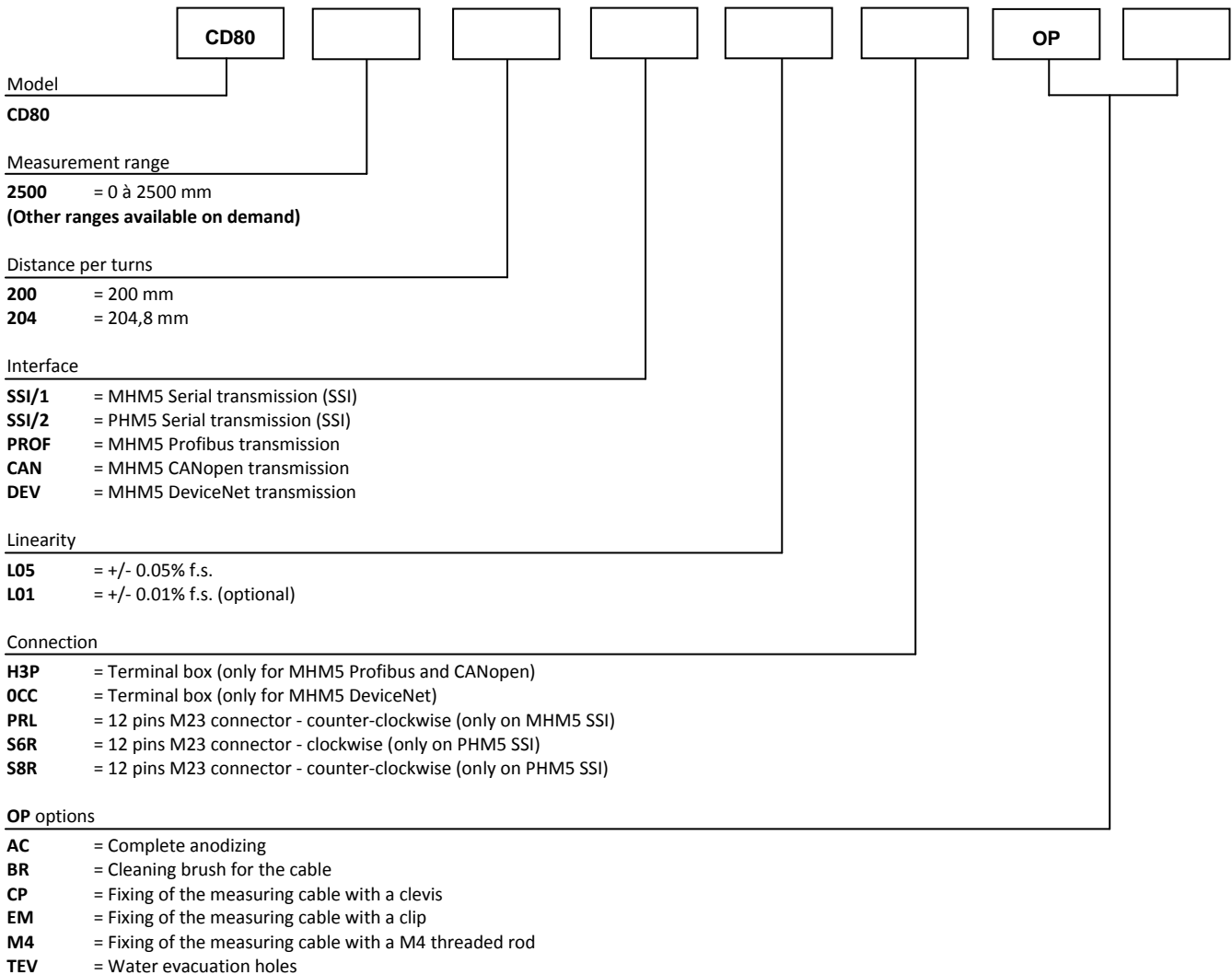
Measurement range	0 up to 2500 mm
Sensing device	Absolute encoder (PHM5 or MHM5 series)
Supply	10 - 30Vdc (MHM5) 5 - 30Vdc (PHM5)
Interface	SSI Profibus CANopen DeviceNet
Resolution	13 bits = 8192steps/turns
Distance per turns	200 mm 204,8 mm
Material	Body and cover - aluminium (RohS) Measuring cable – Stainless steel
Cable diameter	0,60 mm
Connection	Male connector M23 – 12 pin CW Male connector M23 – 12 pin CCW Terminal box
Standard linearity	+/- 0,05% f.s. +/- 0,01% f.s. (optional)
Protection class	IP64
Max. Velocity	10 m/s
Max. Acceleration	8 m/s <sup>2</sup> (before cable deformation)
Weight	≈ 1500 g
Operating temperature	-20° to +85°C
Storage temperature	-40° to +85°C



## Cable forces:

Measurement range in mm	Min. pull-out force	Max. pull-out force
2500	≈ 7,50 N	≈ 11,00 N

## Ordering reference:



Reference example: **CD80-2500-204-PROF-L05-H3P-OP-AC-EM**



Tel : +33 (0)3 88 02 09 02 / Fax : +33 (0)3 88 02 09 03 / E-mail : [info@ak-industries.com](mailto:info@ak-industries.com) / Web : <http://www.ak-industries.com>

**Electrical characteristics :**

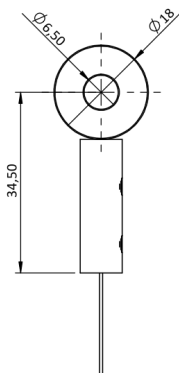
Please refer to the encoder data sheet.

**Options :**

**Cable attachment with a lug :**

**Standard**

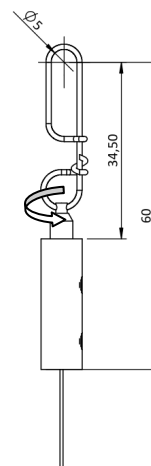
The attachment lug is fixed with a M6 screw or a clevis.



**Cable attachment with a clip :**

**OP-EM**

This fastening system allows a rotation about its axis. The clip is fixed with a M4 screw or a clevis.



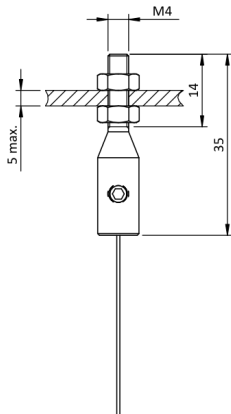
**Cable attachment fitted with a M4 threaded rod:**

**OP-M4**

The rod attachment uses a threaded rod with 2 nuts (provided). The required thickness of the plate does not exceed 5 mm.

**Caution**

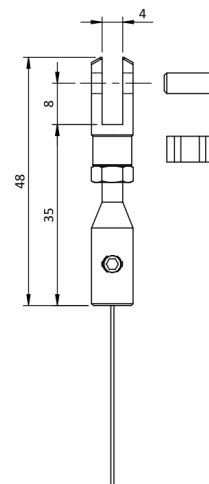
Never screw the threaded rod into a fixed nut, a twist of the measurement cable would damage it.



**Cable attachment with a clevis :**

**OP-CP**

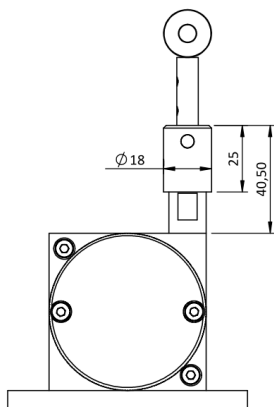
The attachment of the clevis is done using a pin (provided).



**Cable cleaning brush:**

**OP-BR**

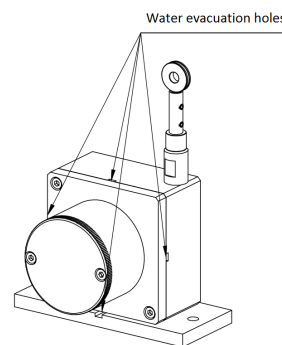
The cleaning brush wipes the cable in dusty or humid environments.



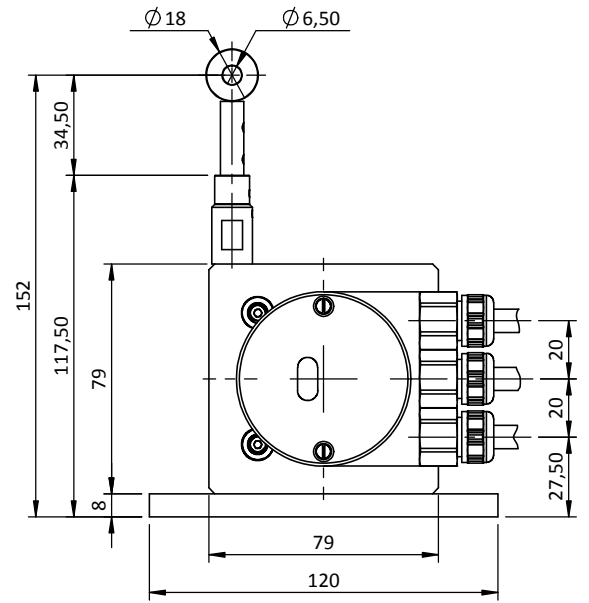
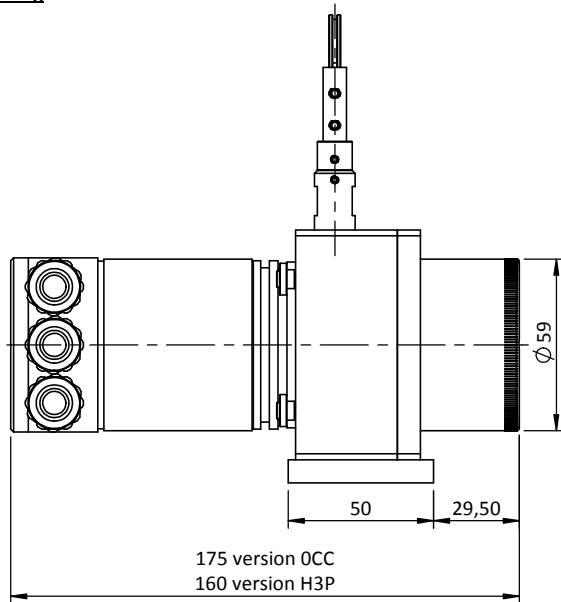
**Water evacuation holes:**

**OP-TEV**

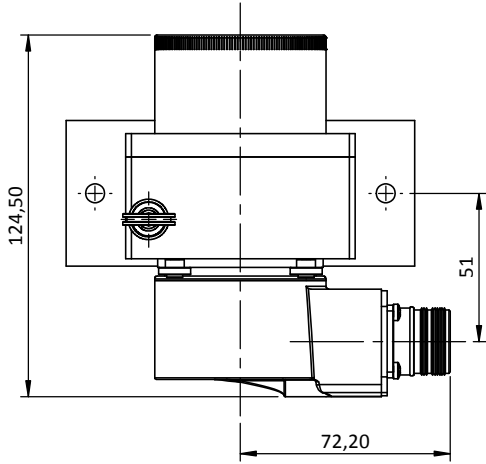
The holes allow the natural flow of fluids out of the sensor in order to avoid their accumulation in the system.



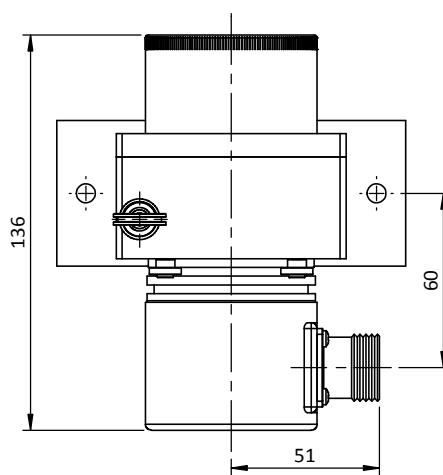
**Dimensional Drawing**



With PHM5 - SSI encoder  
S6R or S8R connection  
(Male connector M23 - 12 pin CW or CCW)



With MHM5 - SSI encoder  
PRL connection  
(Male connector M23 - 12 pin CCW)



With MHM5 - PROF/CANO/DNET encoder  
H3P or OCC connection  
(Terminal box)

