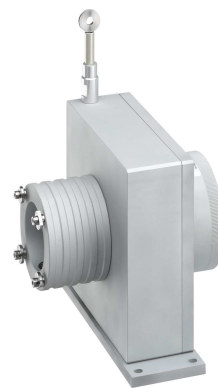


CD150-MEC mechanical devices - Measurement range 0 up to 6000 mm



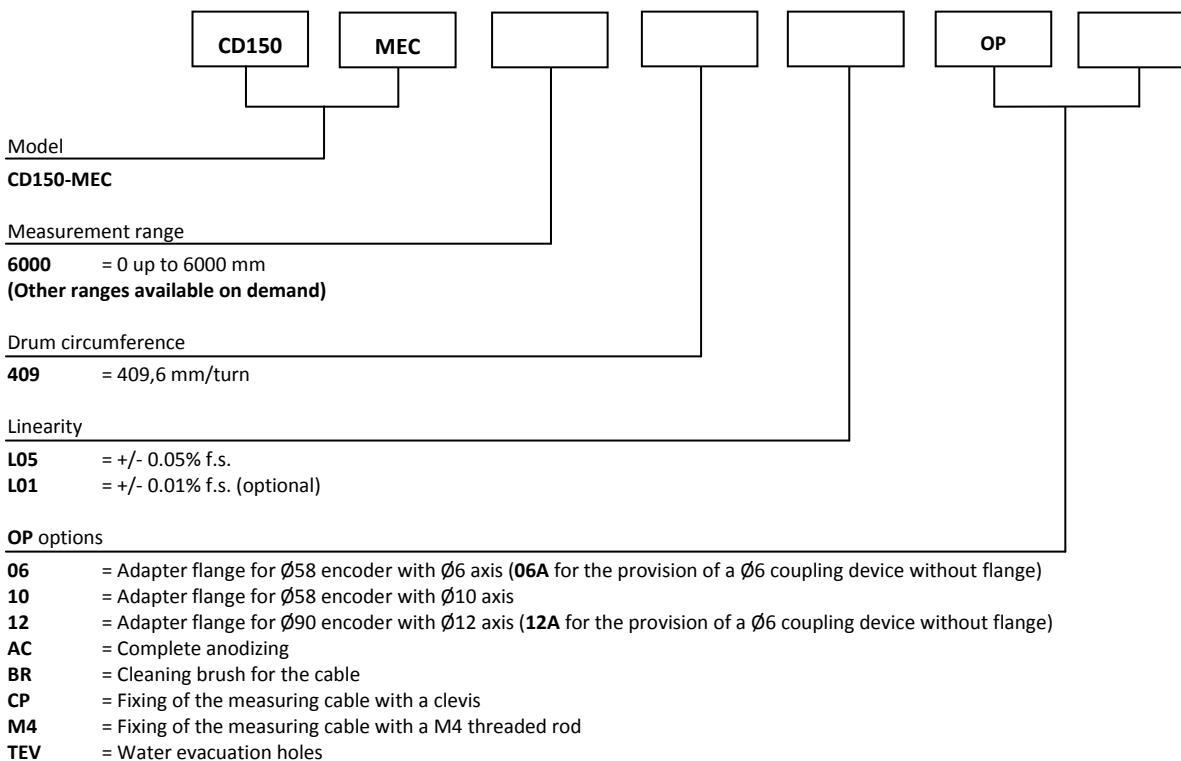
Specifications:

Measurement range	0 up to 6000 mm
Circumference drum	409,6 mm/turn
Sensing device	Adaptable with all our incremental or absolute encoders
Material	Body and cover - aluminium (RohS) Measuring cable – Stainless steel
Cable diameter	0,60 mm
Standard linearity	+/- 0,05% f.s. +/- 0,01% f.s. (optional)
Max. Velocity	10 m/s
Max. Acceleration	5 m/s ² (before cable deformation)
Weight	≈ 3000 g
Operating temperature	-20° to +80°C
Storage temperature	-30° to +80°C

Cable forces:

Measurement range in mm	Min. pull-out force	Max. pull-out force
6000	≈ 10,00 N	≈ 13,50 N

Ordering reference:



If no option is specified for the adapter flange, the draw-wire sensor will be supplied as standard with a Ø10 coupling brace without a flange. For the adaptation of an encoder or other sensor device which does not belong to our range, please contact us.

Reference example: CD150-MEC-6000-409-L05-OP-10-AC



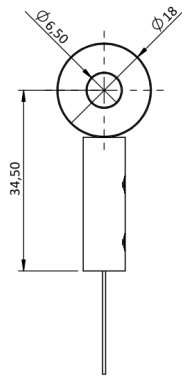
Tel : +33 (0)3 88 02 09 02 / Fax : +33 (0)3 88 02 09 03 / E-mail : info@ak-industries.com / Web : http://www.ak-industries.com

Options :

Cable attachment with a lug :

Standard

The attachment lug is fixed with a M6 screw or a clevis.



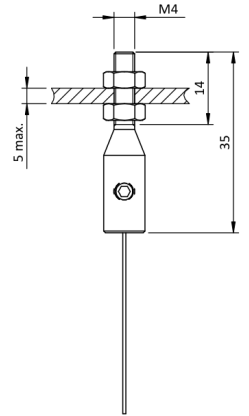
Cable attachment fitted with a M4 threaded rod:

OP-M4

The rod attachment uses a threaded rod with 2 nuts (provided). The required thickness of the plate does not exceed 5 mm.

Caution

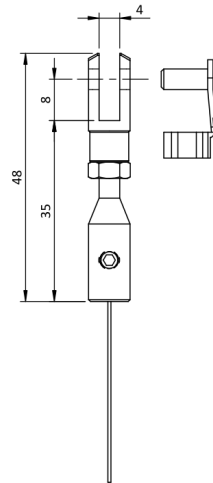
Never screw the threaded rod into a fixed nut, a twist of the measurement cable would damage it.



Cable attachment with a clevis :

OP-CP

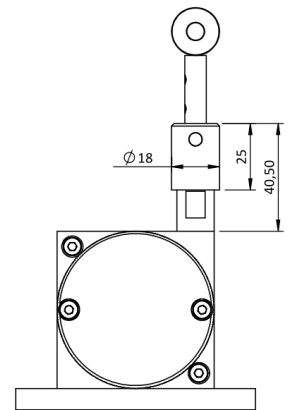
The attachment of the clevis is done using a pin (provided).



Cable cleaning brush:

OP-BR

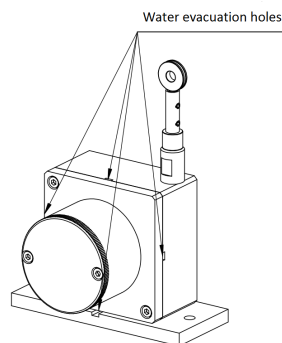
The cleaning brush wipes the cable in dusty or humid environments.



Water evacuation holes:

OP-TEV

The holes allow the natural flow of fluids out of the sensor in order to avoid their accumulation in the system.

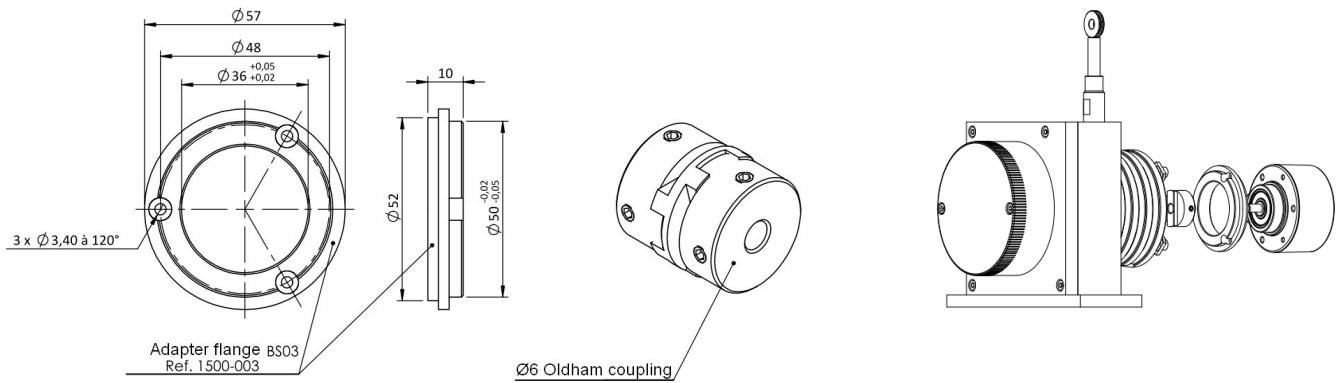


Adapter flanges

Adaptation for an encoder of diameter 58mm, and shaft diameter 6mm

OP-06: Adaptation flange + $\varnothing 6$ Oldham coupling

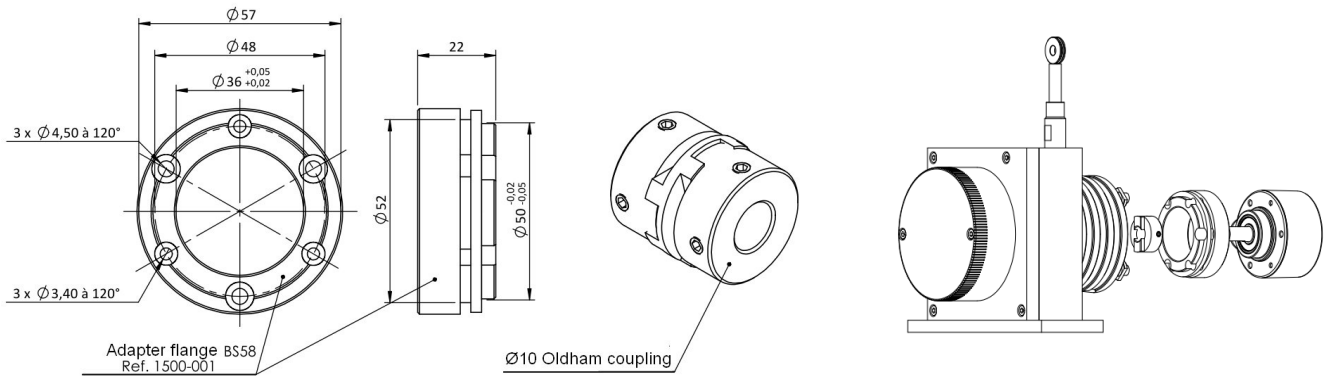
OP-06A: $\varnothing 6$ Oldham coupling without adaptation flange



Adaptation for an encoder of diameter 58mm, and shaft diameter 10mm

OP-10: Adaptation flange + $\varnothing 10$ Oldham coupling

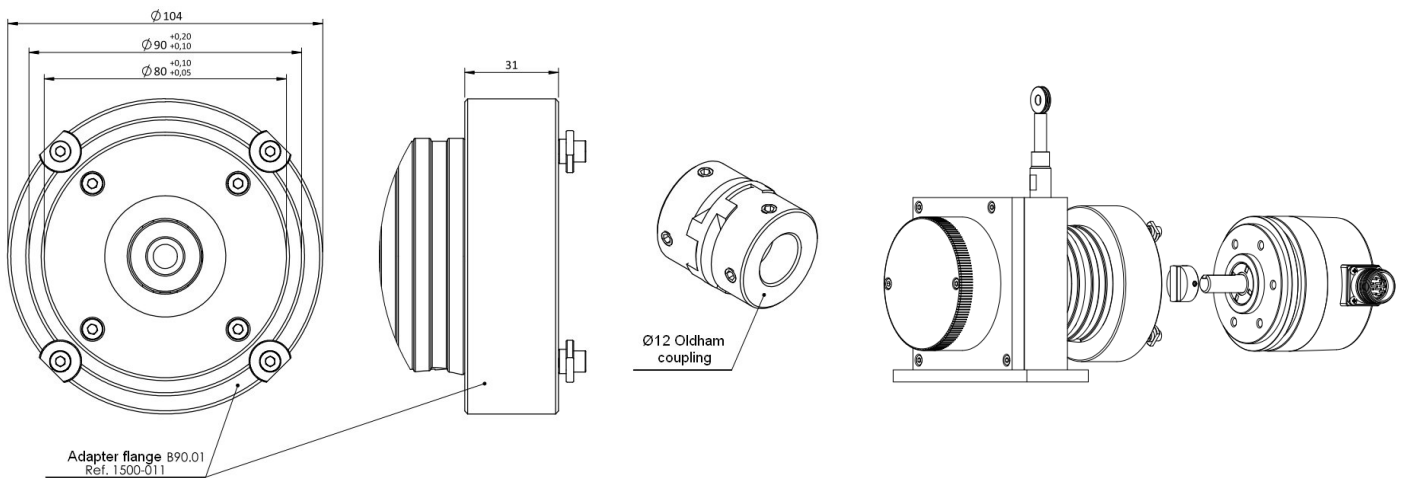
Without specification, a MEC series draw-wire sensor will always be delivered with an Oldham coupling $\varnothing 10$ without adaptation flange.



Adaptation for an encoder of diameter 90mm, and shaft diameter 12mm

OP-12: Adaptation flange + $\varnothing 12$ Oldham coupling

OP-12A: $\varnothing 12$ Oldham coupling without adaptation flange



Dimensional Drawing

