

CD120L potentiometric output – Measurement range 0 up to 3000 mm

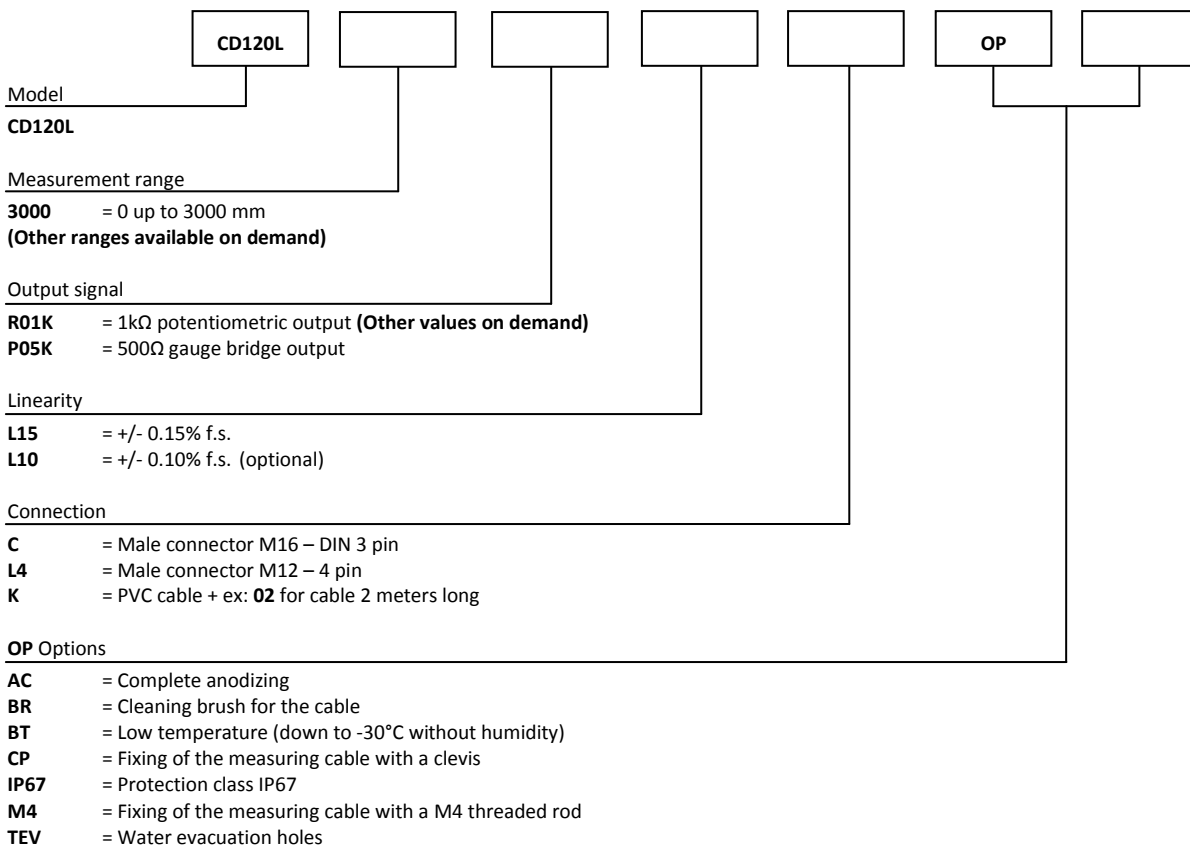
Specifications:

Measurement range	0 up to 3000 mm
Output signal	1k Ω potentiometric output (other values on demand) 500 Ω gauge bridge output
Resolution	Quasi infinite (depends on the operating system)
Material	Body and cover - Aluminum (RohS) Measuring cable – Stainless steel
Cable diameter	0,60 mm
Detection element	Precision potentiometer
Connection	Male connector M16 – 3 pins DIN Male connector M12 – 4 pins PVC cable
Standard linearity	+/- 0,15% f.s. +/- 0,10% f.s. (optional)
Protection class	IP54 (option IP67)
Max. Velocity	10m/s
Max. Acceleration	7 m/s ² (before cable deformation)
Weight	≈ 2000 g
Operating temperature	-20° to +80°C
Storage temperature	-30° to +80°C

Cable forces:

Measurement range in mm	Min. pull-out force	Max. pull-out force
3000	≈ 13,50 N	≈ 18,00 N

Ordering reference:



Reference example: **CD120L-3000-R01K-L15-K02-OP-AC-M4**



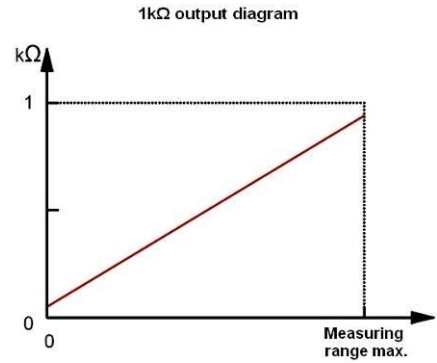
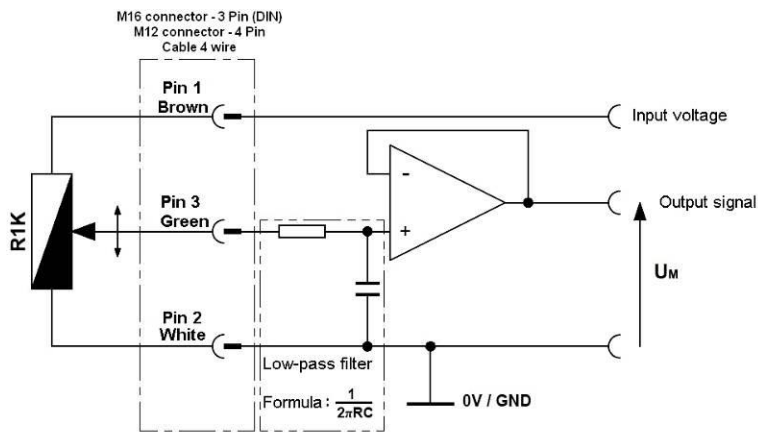
Tel : +33 (0)3 88 02 09 02 / Fax : +33 (0)3 88 02 09 03 / E-mail : info@ak-industries.com / Web : http://www.ak-industries.com

Electrical characteristics:

Potentiometric version 1 KΩ : (other values on demand)

Temperature drift +/-50 ppm/°C

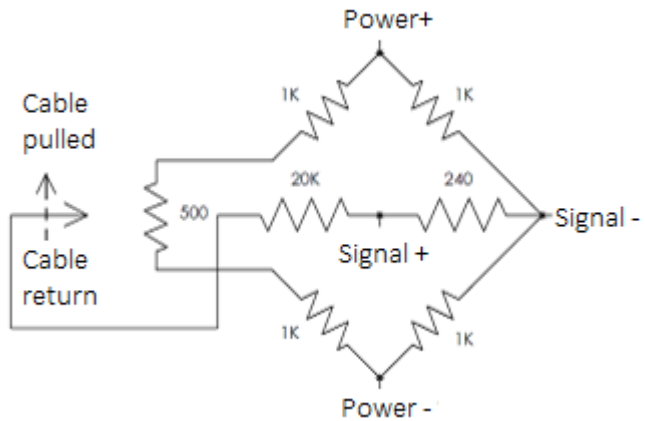
Example of wiring diagram with input stage:



To ensure a good linearity, wire the potentiometer as a voltage divider and never as a rheostat. The input resistance of the operating system must be very high (greater than 10MΩ)

Gauge bridge output P05K :

500Ω impedance
Full scale output : 2mV/V
Zero adjustment not available
Consult us for an adjustable version.



Connection:

Male connector M16 3 pin (DIN)	Male connector M12 4 pin (DIN)	Male connector M16 8 pins (DIN) P05K only	PVC cable 4 wire	R01K	P05K
1	1	1	Brown	Input voltage +	Input voltage +
2	2	2	White	Input voltage GND	Input voltage GND
3	3	3	Green	Signal +	Signal +
4	/	4	/	/	Signal -

Sensor side view	Sensor side view	Sensor side view

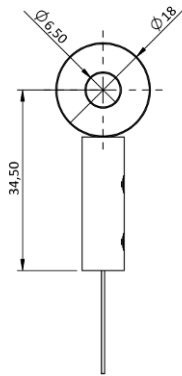


Options:

Cable attachment with a lug :

Standard

The attachment lug is fixed with a M6 screw or a clevis.



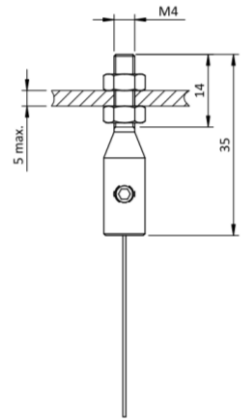
Cable attachment fitted with a M4 threaded rod:

OP-M4

The rod attachment uses a threaded rod with 2 nuts (provided). The required thickness of the plate does not exceed 5 mm.

Caution

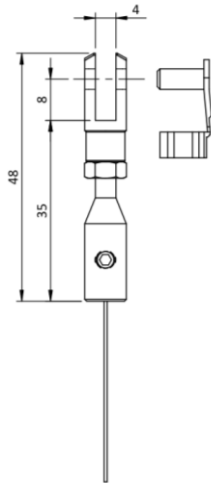
Never screw the threaded rod into a fixed nut, a twist of the measurement cable would damage it.



Cable attachment with a clevis :

OP-CP

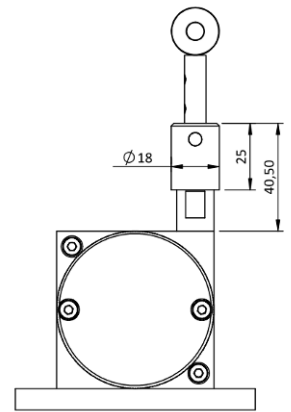
The attachment of the clevis is done using a pin (provided).



Cable cleaning brush:

OP-BR

The cleaning brush wipes the cable in dusty or humid environments.



Dimensional drawing:

