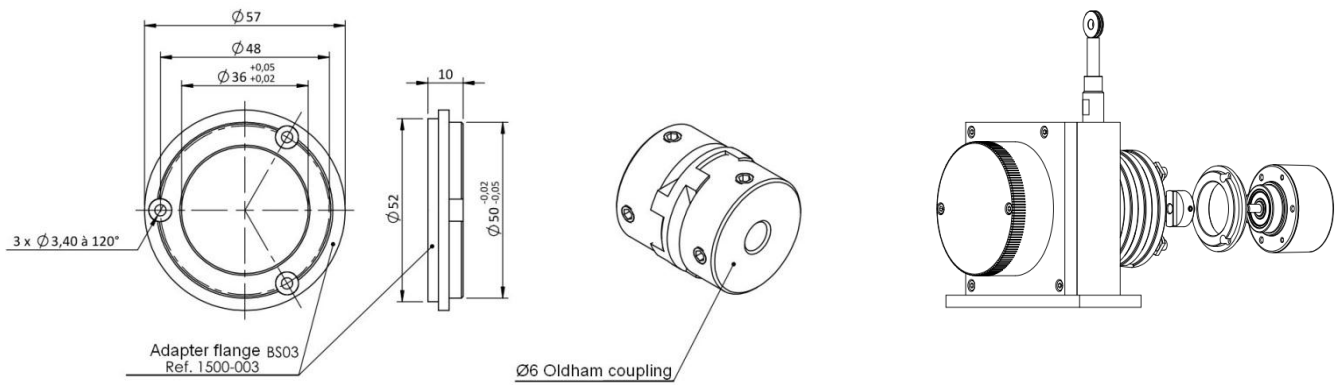


## Adapter flanges

### Adaptation for an encoder of diameter 58mm, and shaft diameter 6mm

OP-06: Adaptation flange + Ø6 Oldham coupling

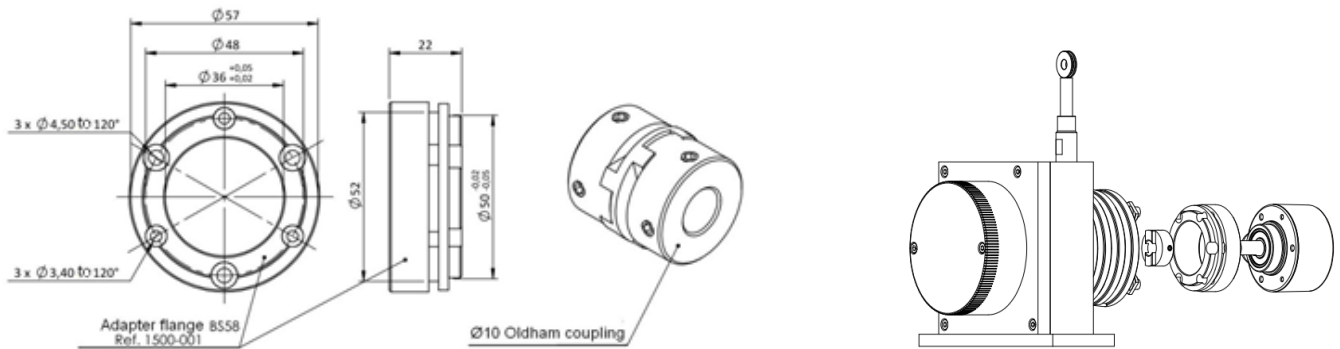
OP-06A: Ø6 Oldham coupling without adaptation flange



### Adaptation for an encoder of diameter 58mm, and shaft diameter 10mm

OP-10: Adaptation flange + Ø10 Oldham coupling

Without specification, a MEC series draw-wire sensor will always be delivered with an Oldham coupling Ø10 without adaptation flange.



### Adaptation for an encoder of diameter 90mm, and shaft diameter 12mm

OP-12: Adaptation flange + Ø12 Oldham coupling

OP-12A: Ø12 Oldham coupling without adaptation flange

