

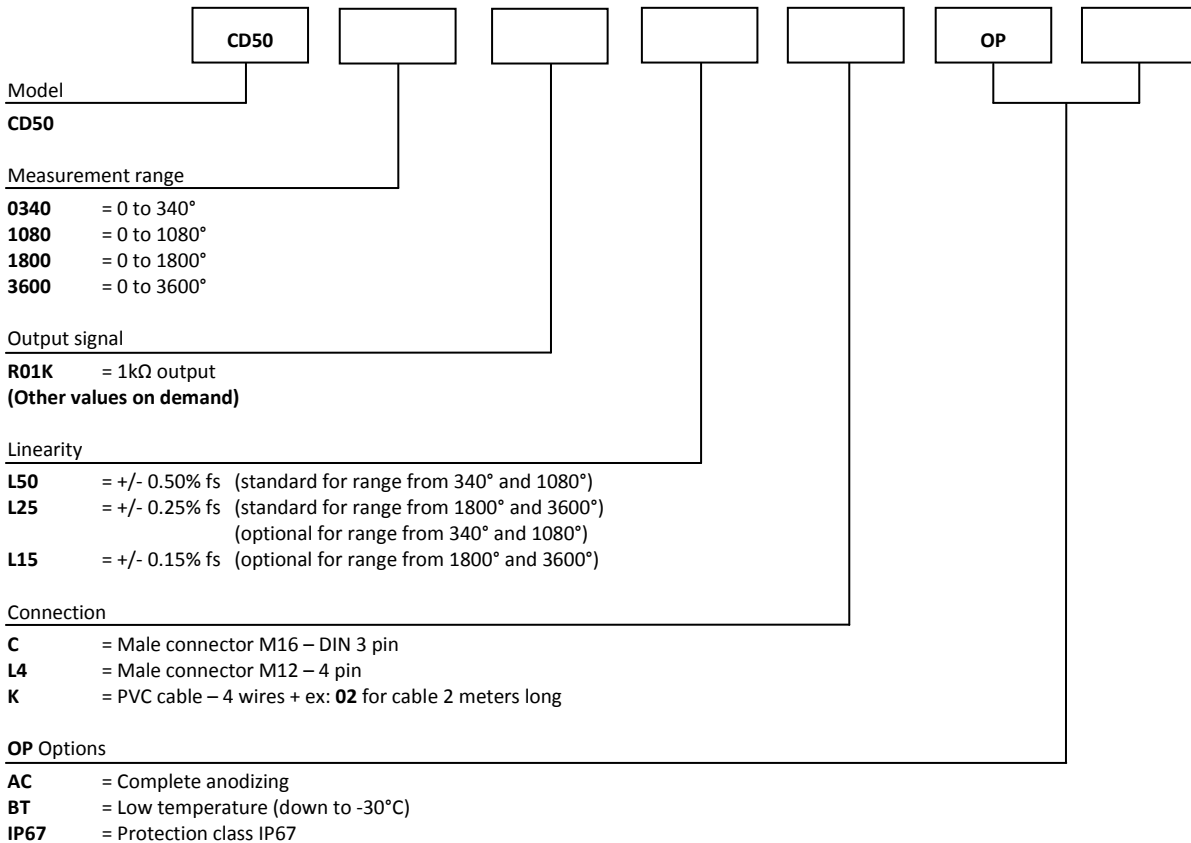
AS58 potentiometric output – Measurement range from 90 to 3600°

Specifications:

Measurement range	90 to 3600°
Output signal	1k Ω Potentiometer (other values on demand)
Resolution	Quasi infinite (depends on the operating system)
Material	Body and cover - Aluminium (RohS) Measuring cable – Stainless steel 303
Axis diameter	10mm
Detection element	Multi-turn Hybrid potentiometer
Connection	Male connector M16 – DIN 3 pin Male connector M12 – 4 pin PVC cable – 4 wires
Linearity	+/- 0,50% fs – Range from 340° and 1080° +/- 0,25% fs – Range from 1800° and 3600° Range from 340° and 1080° (optional) +/- 0,15% fs – Range from 1800° and 3600° (optional)
Shock resistance	$\leq 500\text{m.s}^{-2}$ (6 ms)
Vibration resistance	$\leq 100\text{m.s}^{-2}$ (55 ... 2 000 Hz)
Protection class	IP54 (option IP67)
Weight	≈ 300 g
Operating temperature	-20° to +80°C
Storage temperature	-30° to +80°C



Ordering reference:

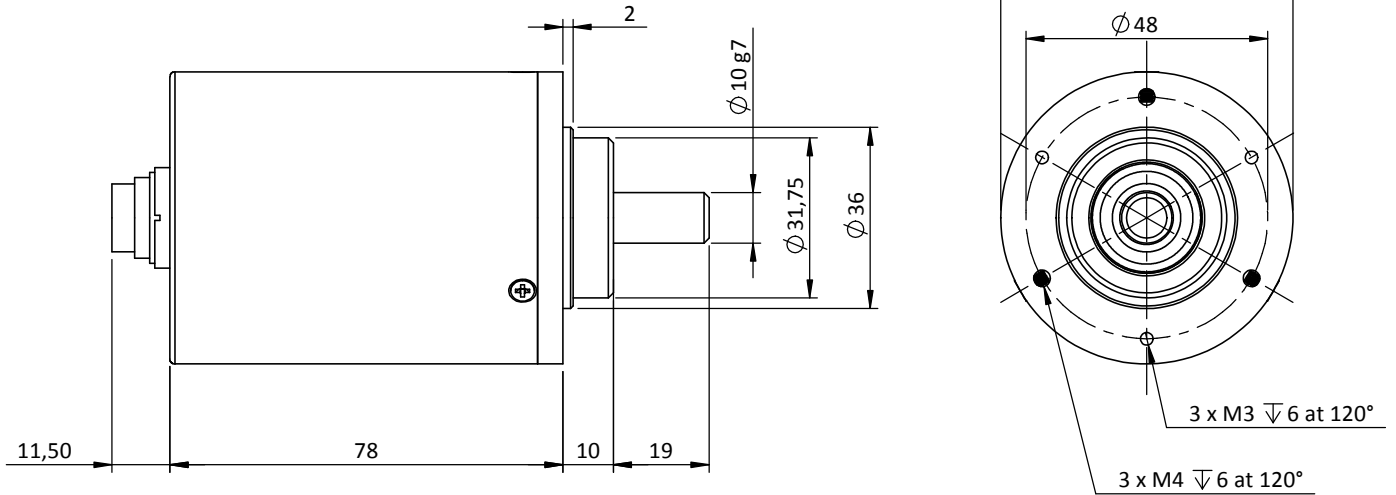


Reference example: AS58-3600-R01K-H-L25-K02-OP-IP67

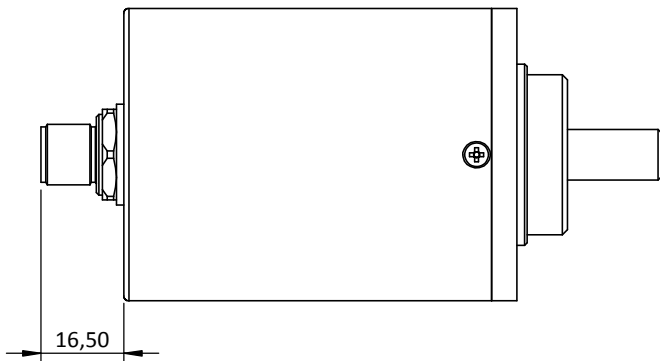


Dimensional Drawing

C connection
(Connector M16 - DIN 3 pin)



L4 connection
(connector M12 - 4 pin)



K connection
(PVC cable - 4 wires)

